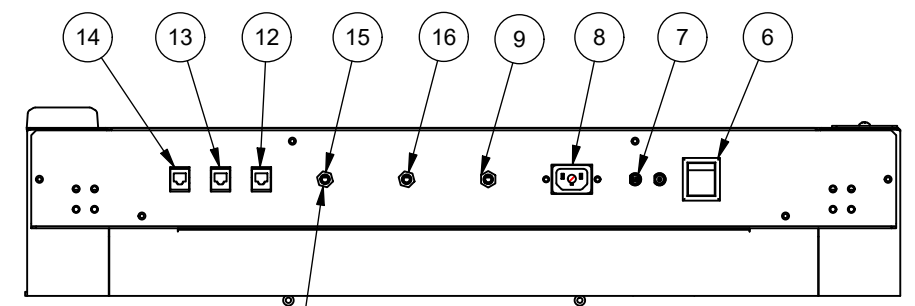
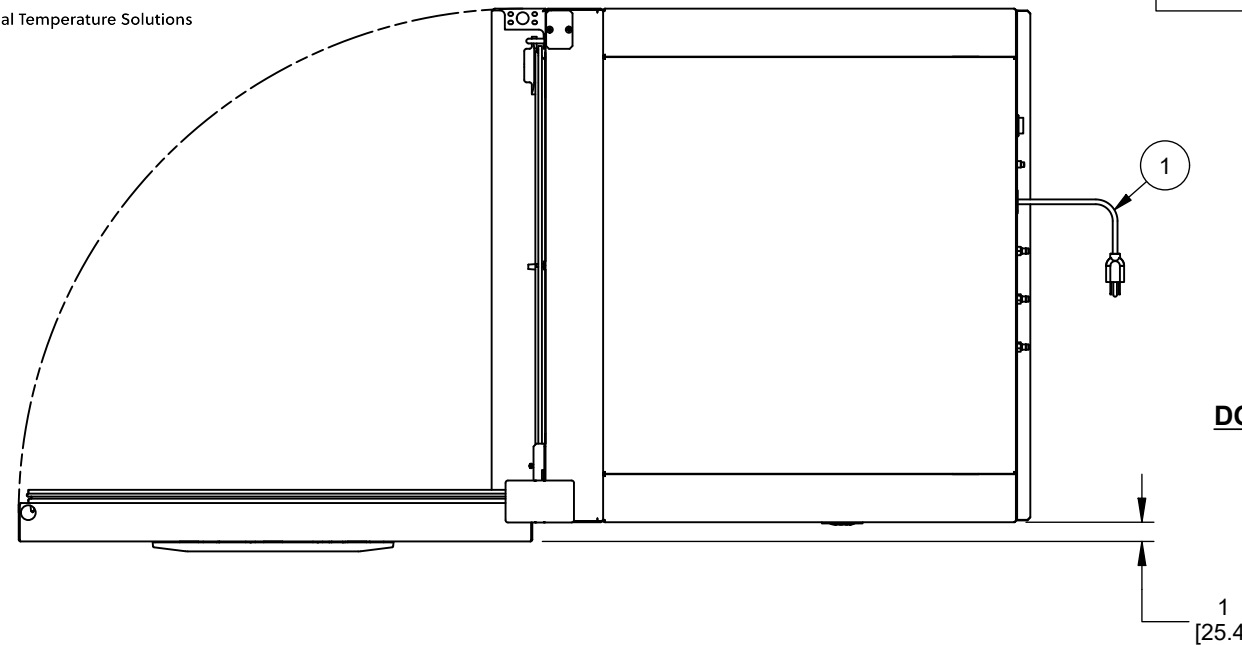


ITEM	DESCRIPTION
1	POWER CORD
2	DISPLAY SCREEN
3	CO2 SAMPLE PORT
4	ACCESS PORT 1-1/8" [28.6mm]
5	USB CONNECTION PORT COVER
6	ON / OFF SWITCH
7	CIRCUIT BREAKER
8	AC POWER CORD CONNECTION
9	CO2 INLET
10	AIR FILTER
11	CO2 FILTER
12	4 - 20 MA CONNECTION
13	RS-485 CONNECTION
14	REMOTE ALARM CONNECTION
15	AIR SUPPLY INLET
16	N2 INLET
17	N2 SUPPLY FILTER
18	RH TANK
19	PORT PLUG: MODELS W/O HEATED DECON
20	SILICON PORT PLUG: MODELS W/HEATED DECON
21	SENSOR BAY ACCESS PANEL
22	USB PORT - FRONT

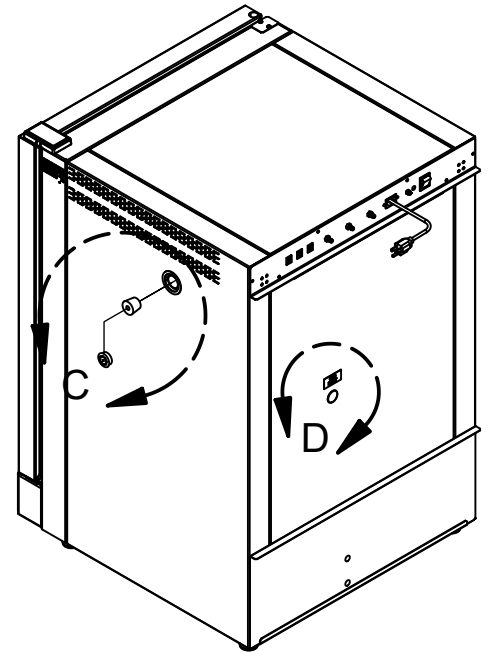


REV	ECO	DESCRIPTION	DATE	DFTM	CHKD
A	13712	UPDATED USB PORTS, ADDED CAUTION LABEL TO FRONT VIEW	4/2/2018	TH	KCK



**DO NOT PLUG OR INSTALL PRESSURIZED SOURCE**

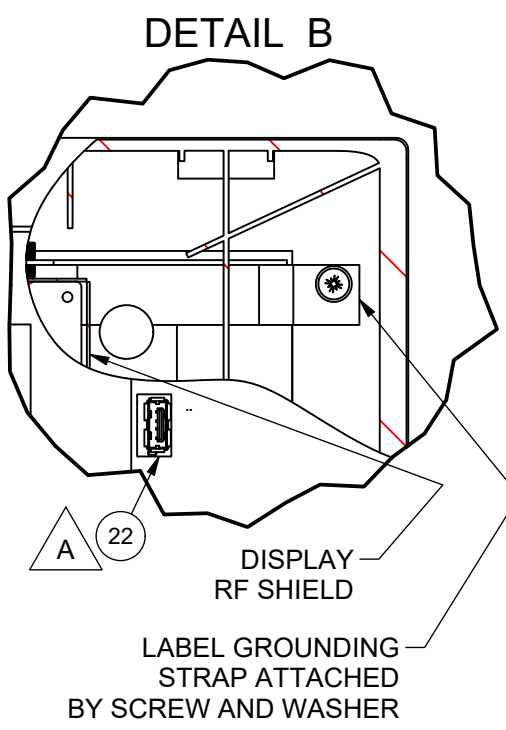
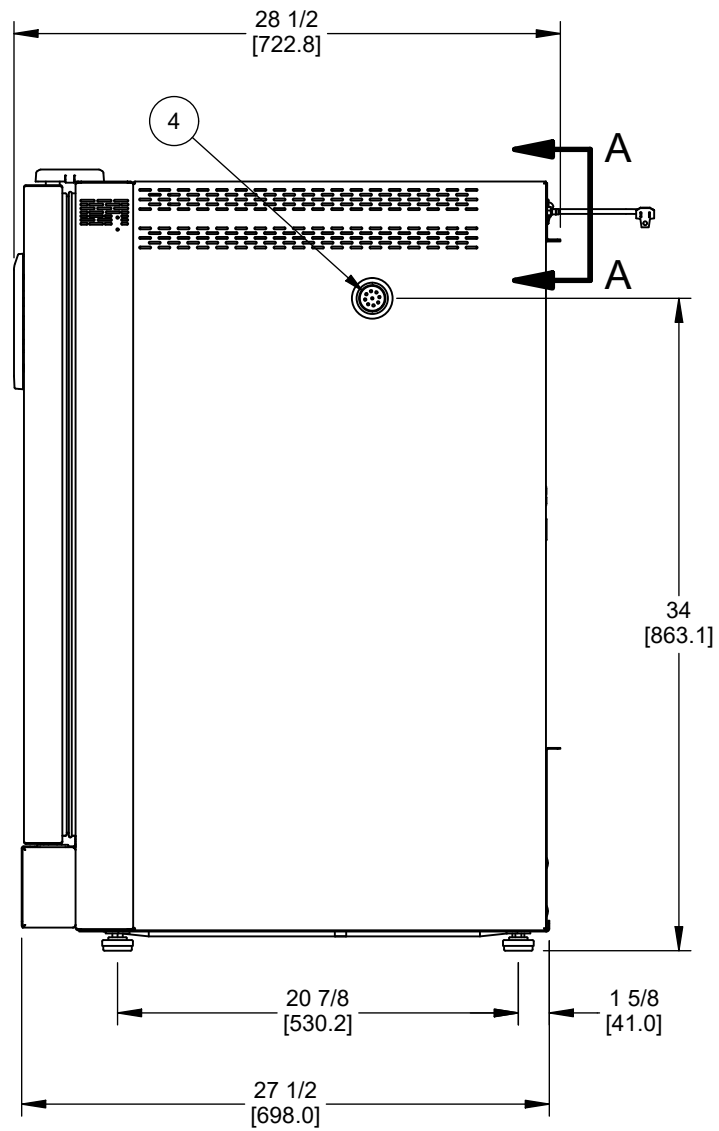
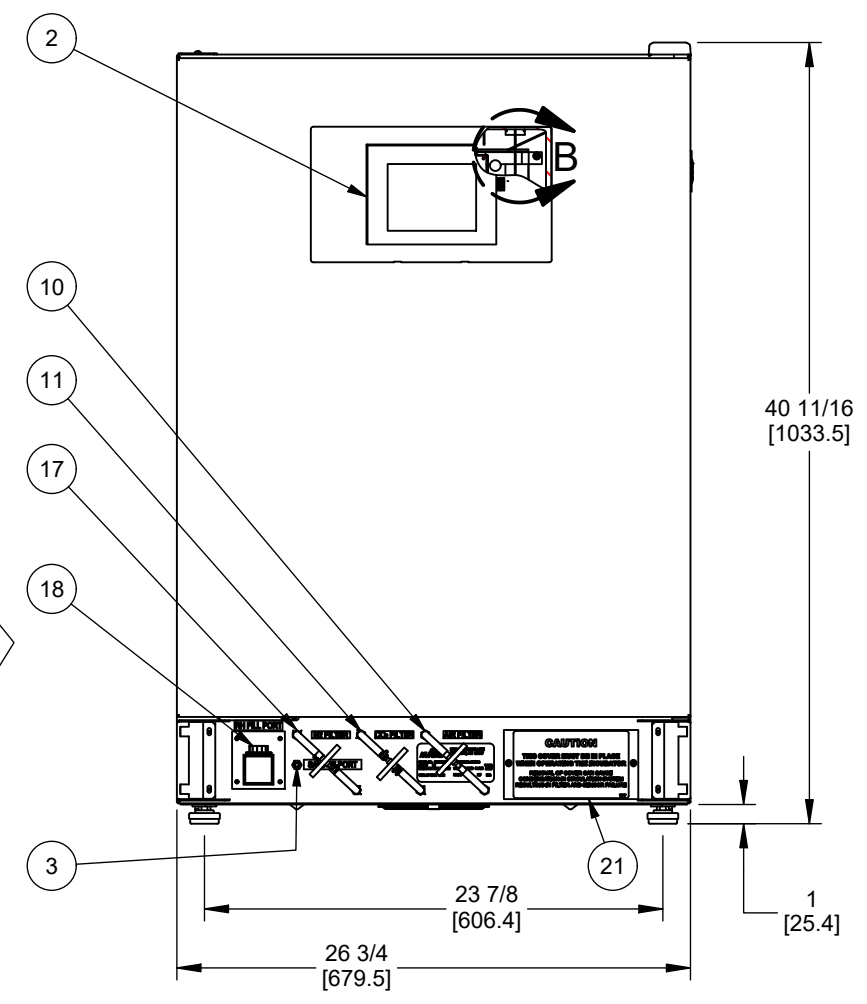
**VIEW A-A**



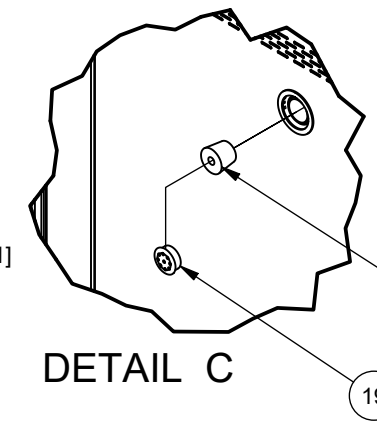
**EXTERIOR DIMENSIONS**  
 39.688" [1008.1mm] H  
 26.750" [679.5mm] W  
 27.500" [698.0mm] D

**INTERIOR DIMENSIONS**  
 28.500" [723.9mm] H  
 21.257" [539.9mm] W  
 20.053" [509.3mm] D

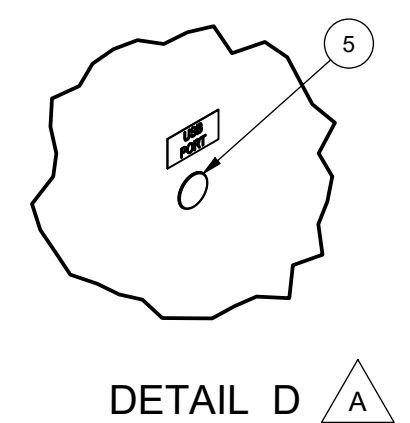
**SHELF DIMENSIONS**  
 19.250" [489.0mm] W  
 18.750" [476.3mm] D



**DETAIL B**



**DETAIL C**



**DETAIL D**

TITLE					
ASSEMBLY, NU-5800					
DFTM	DATE	CHKD	SHEET	1	OF 1
LS	6/7/2016	KCK			
DRAWING NUMBER					<b>BCD-18314</b>
					<b>D</b>