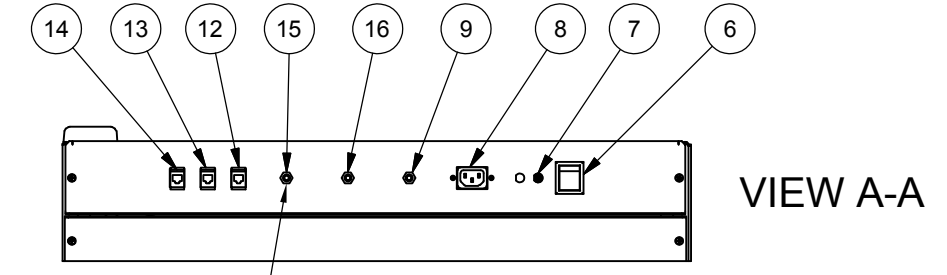
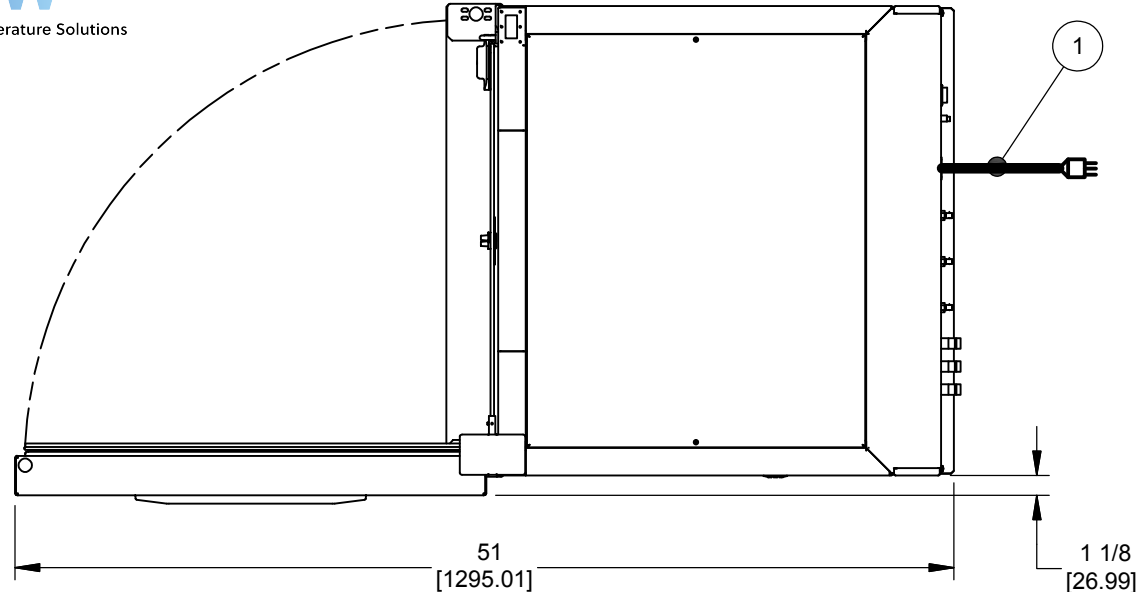




REV	LOG	DESCRIPTION	DATE	DFTM	CHKD
A	13296	RELEASED TO PRODUCTION	3/7/2017	TH	KCK

1	POWER CORD
2	DISPLAY SCREEN
3	CO2 SAMPLE PORT
4	ACCESS PORT 1-1/8" [28.6mm]
5	USB CONNECTION PORT COVER
6	ON / OFF SWITCH
7	CIRCUIT BREAKER
8	AC POWER CORD CONNECTION
9	CO2 SUPPLY INLET
10	AIR SUPPLY FILTER
11	CO2 FILTER
12	4 - 20 MA CONNECTION
13	RS-485 CONNECTION
14	REMOTE ALARM CONNECTION
15	AIR SUPPLY INLET
16	N2 INLET
17	N2 SUPPLY FILTER
18	DRAIN VALVE
19	NON-DECON PORT CAP

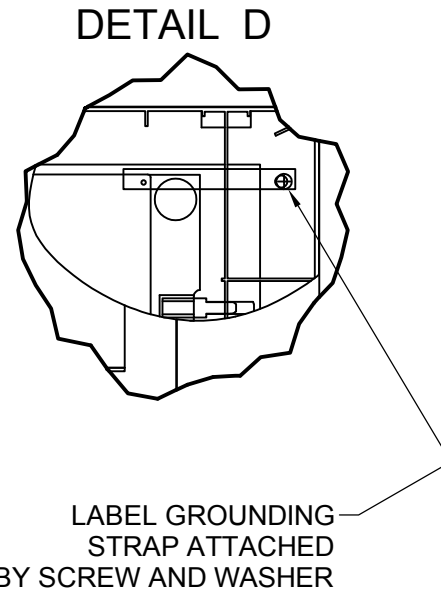
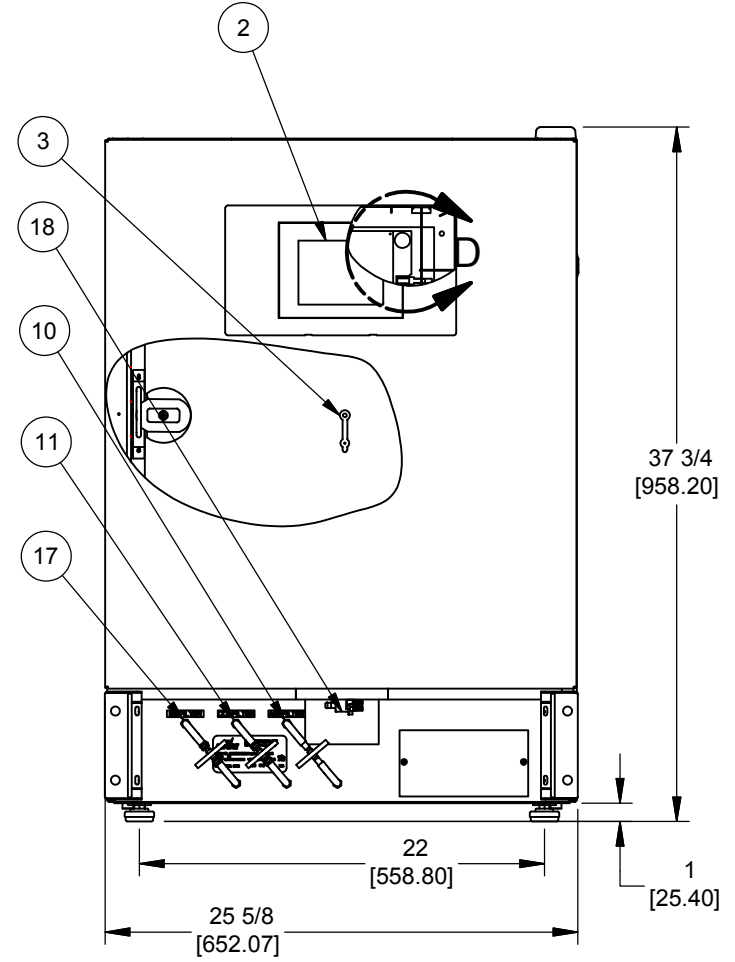
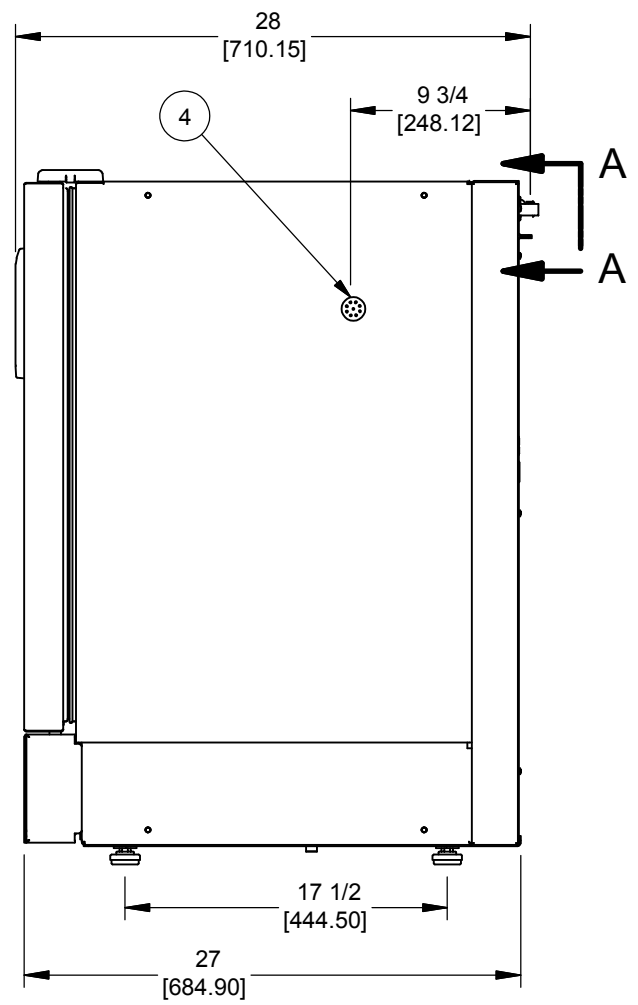
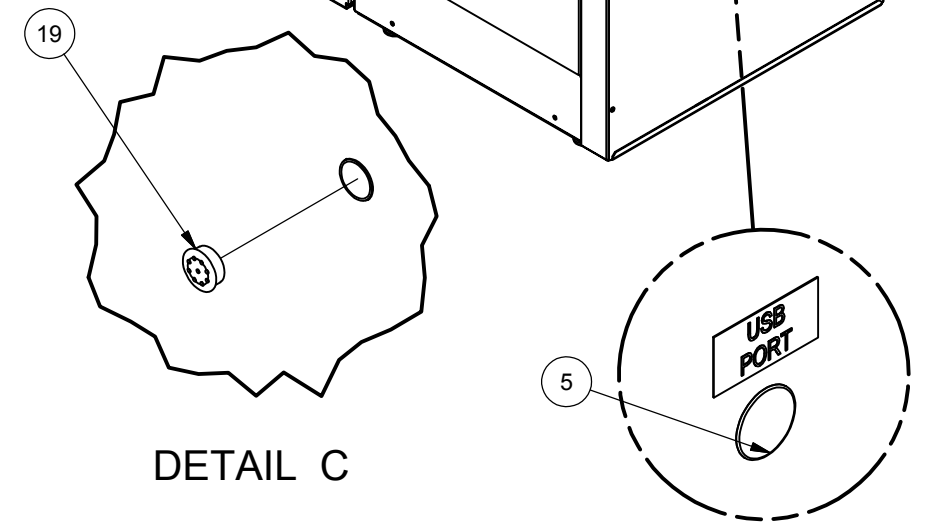
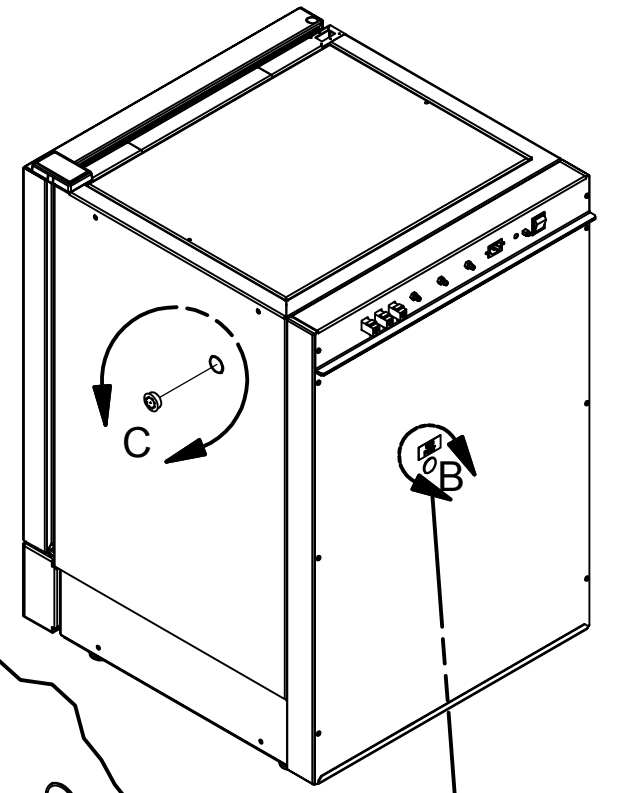


DO NOT PLUG OR INSTALL PRESSURIZED SOURCE

EXTERIOR DIMENSIONS
 37 3/4" [957.9mm] H
 25 5/8" [649.3mm] W
 27" [684.6mm] D

INTERIOR CHAMBER DIMENSIONS
 24" [610.9mm] H
 20 3/8" [517.5mm] W
 20 5/8" [523.9mm] D

SHELF DIMENSIONS
 18" [457.2mm] W
 18 3/4" [476.3mm] D



TITLE ASSEMBLY, NU-8600 SERIES INCUBATOR					
DFTM TH	DATE 3/7/2017	CHKD KCK	SHEET 1 OF 1		
DRAWING NUMBER BCD-18002			A		