



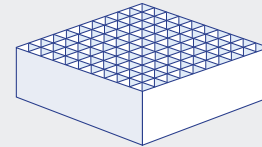
# -86°C ULTRALOW FREEZER RACK CAPACITY

**VDW**  
Crucial Temperature Solutions



## Why Use Freezer Racks?

If your ultralow freezer is being used to store small samples, storage racks and boxes provide a much more efficient use of internal space. Storage racks come in various sizes, usually denoted by the amount of rows and columns each rack can contain. The number of rows and columns needed will depend on the capacity of your unit.



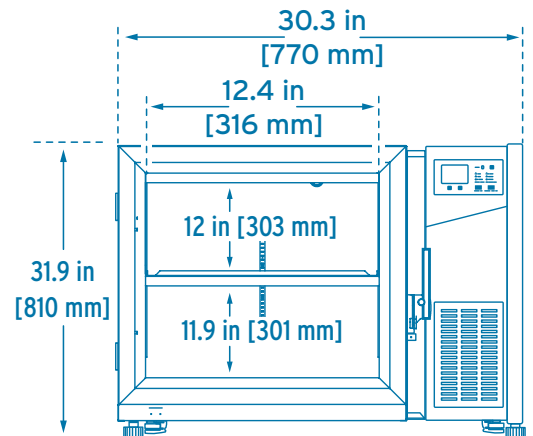
**2" [5 cm] Box**  
can hold up to  
**100 2mL vials**

## Blizzard<sup>®</sup> NU-99100J Capacity: 3.5 ft<sup>3</sup> [100 L]

**4 Racks** (5 Rows x 3 Columns)

**60 Boxes** (2 in [5 cm])

**6000 Vials** (2 mL)



**Electrical:**  
115V / 60Hz  
230V / 50Hz

**Unit Depth: 26 in [660 mm]**  
**Shelf Depth: 16.7 in [424 mm]**



# Blizzard® NU-99338J

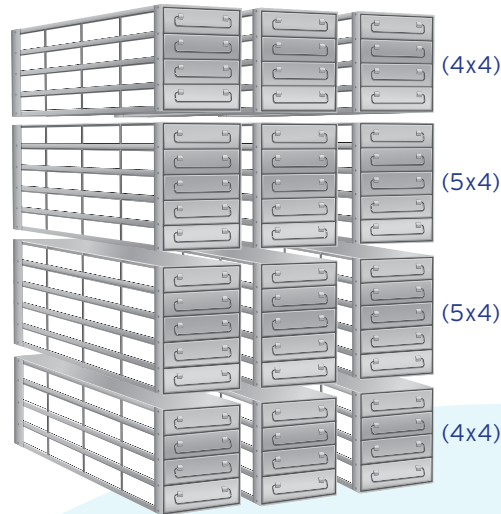
Capacity: 11.9 ft<sup>3</sup> [338 L]



**12\*** Racks (6x 4 Rows / 4 Columns)  
(6x 5 Rows / 4 Columns)

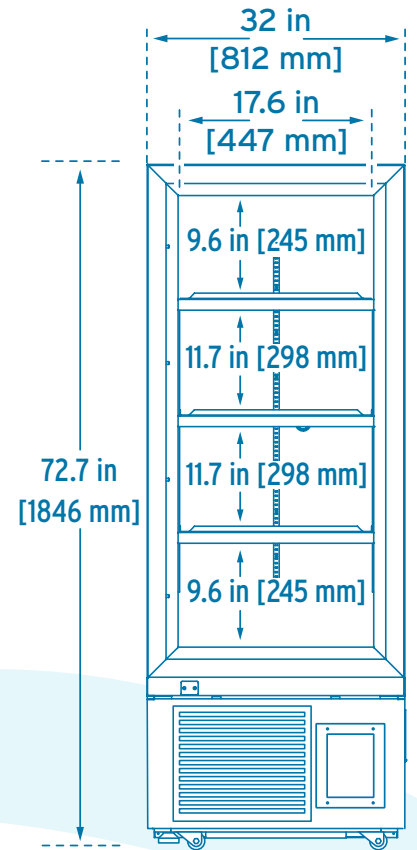
**216** Boxes (2 in [5 cm])

**21,600** Vials (2 mL)



### Electrical:

115V / 60Hz  
220V / 60Hz  
230V / 50Hz



Unit Depth: 35.2 in [894 mm]  
Shelf Depth: 23.4 in [595 mm]

# Blizzard® NU-99578J

Capacity: 20.4 ft<sup>3</sup> [578 L]



**16** Racks (5 Rows x 5 Columns)

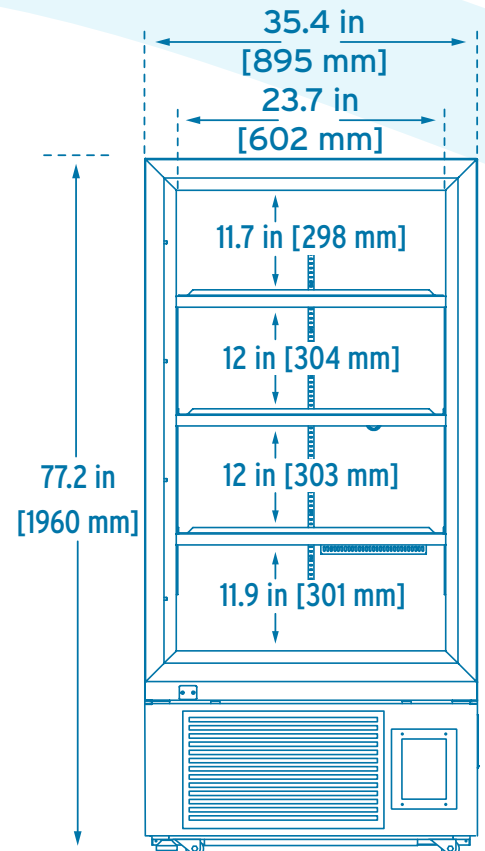
**400** Boxes (2 in [5 cm])

**40,000** Vials (2 mL)



### Electrical:

115V / 60Hz  
220V / 60Hz  
230V / 50Hz



Unit Depth: 38.6 in [980 mm]  
Shelf Depth: 26.8 in [680 mm]

# Blizzard<sup>®</sup> NU-99728J

Capacity: 25.7 ft<sup>3</sup> [728 L]

**20 Racks** (5 Rows x 5 Columns)

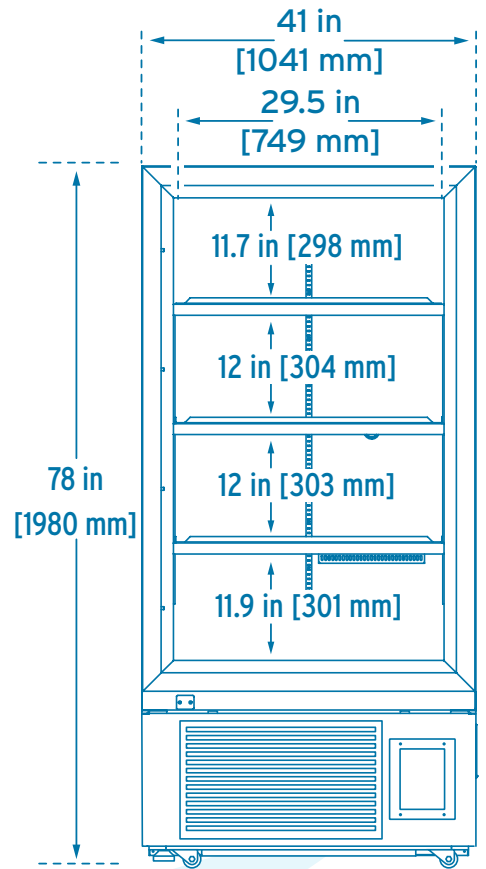
**500 Boxes** (2 in [5 cm])

**50,000 Vials** (2 mL)



### Electrical:

115V / 60Hz  
220V / 60Hz  
230V / 50Hz



Unit Depth: 38.6 in [980 mm]  
Shelf Depth: 26.8 in [680 mm]

# Blizzard<sup>®</sup> NU-99729VFT

Capacity: 25.75 ft<sup>3</sup> [729 L]

**20 Racks** (5 Rows x 5 Columns)

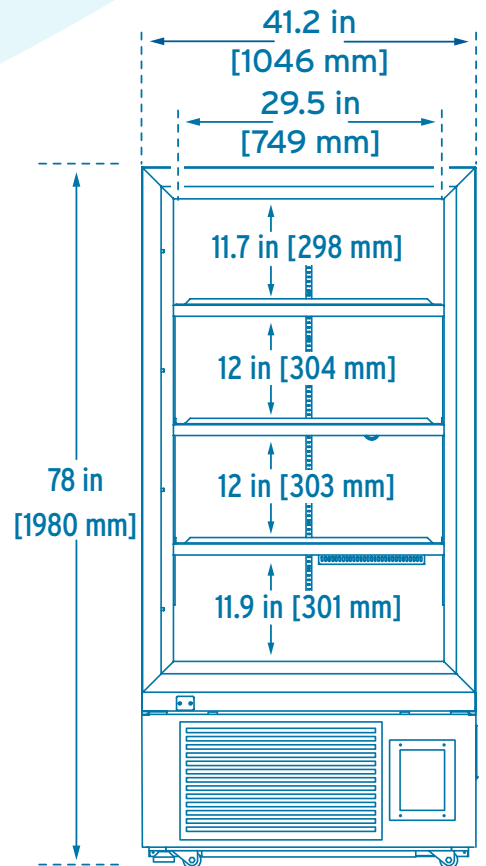
**500 Boxes** (2 in [5 cm])

**50,000 Vials** (2 mL)



### Electrical:

100-230 V  
50-60 Hz  
15-20 A



Unit Depth: 38.9 in [988 mm]  
Shelf Depth: 26.8 in [680 mm]

# Blizzard<sup>®</sup> NU-99828J

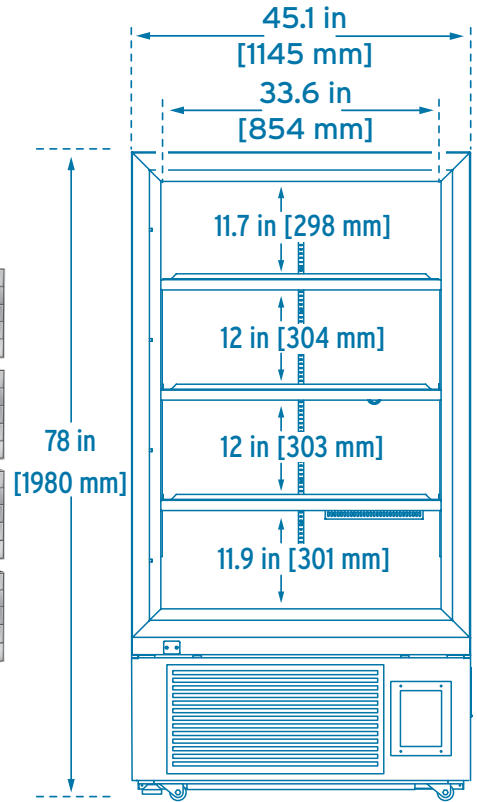
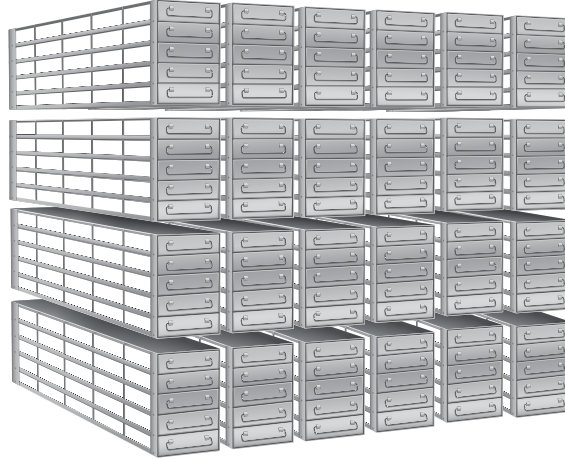
Capacity: 29.2 ft<sup>3</sup> [828 L]



**24 Racks** (5 Rows x 5 Columns)

**600 Boxes** (2 in [5 cm])

**60,000 Vials** (2 mL)



**Electrical:**

220V / 60Hz

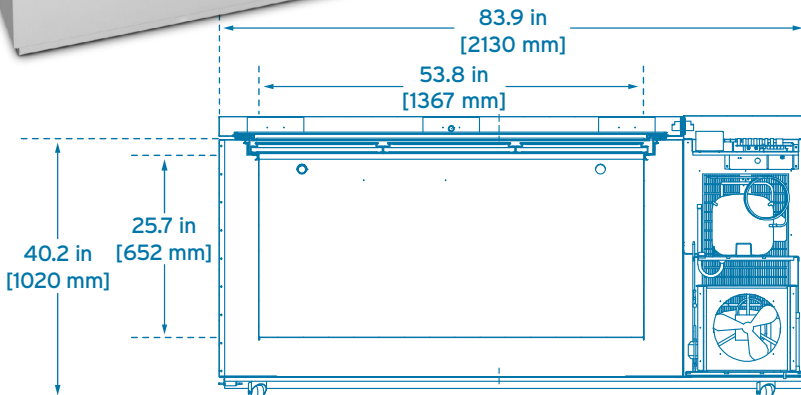
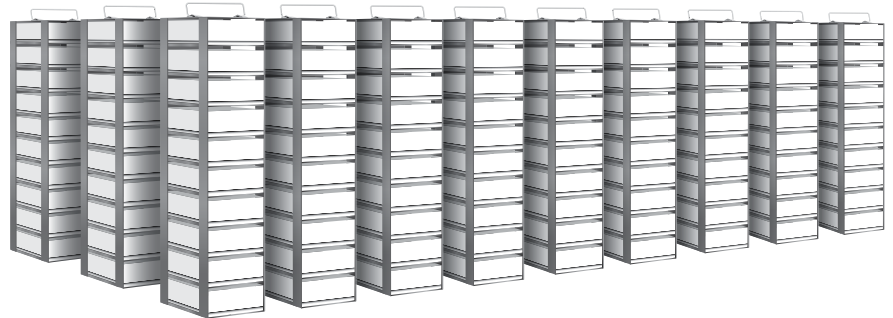
230V / 50Hz

Unit Depth: 38.6 in [980 mm]

Shelf Depth: 26.8 in [680 mm]

# Blizzard<sup>®</sup> NU-99420J

Capacity: 14.8 ft<sup>3</sup> [420 L]



**27 Racks** (10 Rows x 1 Column)

**270 Boxes** (2 in [5 cm])

**27,000 Vials** (2 mL)

Unit Depth: 34.3 in [870 mm]

Shelf Depth: N/A

**Electrical:** 220V / 60Hz

230V / 50Hz

