



-86°C ULTRALOW TEMPERATURE FREEZERS



The Safer Choice



TABLE OF CONTENTS

The NuAire Advantage.....	1
Freezer Capacity by Model.....	2
Blizzard Features & Options.....	4
Control Panels & Alarm Codes.....	6
ULT Freezer Construction.....	8
Blizzard NU-99100J Features.....	10
Blizzard NU-99338J Features.....	12
Blizzard NU-99578J Features.....	14
Blizzard NU-99728J Features.....	16
Blizzard NU-99729VFT Features.....	18
Blizzard NU-99828J Features.....	20
Blizzard NU-99420J Features.....	22
Complete Your Laboratory.....	24
Custom Solutions.....	25



ISO 13485:2016
ISO 9001:2015
CERTIFIED



NUAIRE

THE NUAIRE ADVANTAGE

In 1971, Max Peters designed his first Biosafety Cabinet (BSC) from inside his own garage at the behest of the National Institute of Health (NIH) in Bethesda, Maryland. The NIH put out a public purchase order (NIH-03-112c) for a machine that could protect the safety of scientific personnel and their research products. Peters helped establish some of the quality standards that all modern Biosafety Cabinets are held to this very day. After being awarded the NIH contract, a new laboratory equipment engineering and manufacturing company, NuAire, was born. Today, NuAire, Inc. is still owned and operated by the Peters family in Plymouth, MN.

For over half a century, NuAire has consistently led the industry in safety standards and customer satisfaction. We obsess over our customers' needs and tailor unique solutions to meet those needs. With invaluable input from customers like you, we now offer a wide range of biosafety cabinets, CO₂ incubators, restricted access barrier systems, animal handling workstations, ultralow temperature freezers, and custom solutions. With our cutting-edge robotic sheet metal facility, we are able to deliver you custom, innovative solutions in addition to the standard laboratory equipment that we sell.

To better meet the necessities of our customers, we now offer an array of ultralow temperature freezer models. We pride ourselves on our products' premium quality, consistent reliability, overall low cost of ownership, and environmental sustainability. Our quality management system is fully certified to adhere to ISO 9001:2015 and 13485:2016 requirements. Our products are also celebrated for their ergonomic design, ease of use, and quiet operation. All standard ULT units sold in the US and Canada come with a 3 year parts & labor warranty. Our philosophy is that we succeed only when you succeed; we are committed to guaranteeing 100% satisfaction.

As NuAire continues to grow, we are committed to continuously improving our products and expanding our offerings. We always strive to provide you with the optimum level of protection throughout any industry.

NuAire's Quality Policy:

- Satisfy Customers
- Comply with System Requirements
- Continually Improve

Choose NuAire as the Safer Choice for Your Laboratory



-86°C ULTRALOW FREEZER MODELS



NU-99729VFT

Blizzard HC -86°C Ultralow Temperature Freezer (ULT) Models provide dependable performance for storing various cell & tissue samples and vaccines at an affordable price. Each model has vacuum insulated and polyurethane foam filled panels surrounding the cold-storage chamber to provide greater temperature uniformity and maximize total storage capacity. Our unique dual compressor system* maintains consistent storage temperatures without compromising energy efficiency. Our Blizzard Ultralow Temperature Freezers are the safer choice for your cold storage needs.

*Excludes Blizzard NU-99100J model.

NuAire Blizzard Models		
Model	Configuration	Storage Capacity
NU-99100J	Under-Counter	3.5 ft ³ / 100L
NU-99338J	Upright	12 ft ³ / 341 L
NU-99578J	Upright	20.5 ft ³ / 580 L
NU-99728J	Upright	25.3 ft ³ / 716 L
NU-99729VFT	Upright	25.3 ft ³ / 716 L
NU-99828J	Upright	28.7 ft ³ / 813 L
NU-99420J	Chest	14.5 ft ³ / 412 L

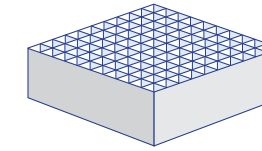
HYDROCARBON (HC) NATURAL REFRIGERANTS

Lower your total cost of ownership while improving reliable performance.

Blizzard Ultralow Temperature Freezers utilize non-toxic hydrocarbon (HC) refrigerants that are eco-friendly alternatives to CFC, HCFC, and HFC fluorocarbons, which are linked to ozone layer damage. HC refrigerants are found naturally in nature, can be acquired at a lower cost, and provide superior energy efficiency.



FREEZER RACK CAPACITY BY MODEL



If your ULT is being used to store small samples, storage racks and boxes provide a much more efficient use of internal space. Storage racks come in various sizes, usually denoted by the amount of rows and columns each rack can contain. The

number of rows and columns needed will depend on the freezer racks manufacturer and the storage capacity of your ULT. The table below outlines the size and quantity of racks each Blizzard model can contain.



Freezer Racks for 2" [5 cm] Boxes

ULT Model	Model Configuration	Rack Configuration	Rack Capacity	2" [5 cm] High Box Capacity	2 mL Sample Vials Capacity
NU-99100J	Under-Counter	5 Rows / 3 Columns	4	60	6,000
NU-99338J	Upright	4 Rows / 4 Columns	6	96	21,600
		5 Rows / 4 Columns	6	120	
NU-99578J	Upright	5 Rows / 5 Columns	16	400	40,000
NU-99728J	Upright	5 Rows / 5 Columns	20	500	50,000
NU-99729VFT	Upright	5 Rows / 5 Columns	20	500	50,000
NU-99828J	Upright	5 Rows / 5 Columns	24	600	60,000
NU-99420J	Chest	10 Rows / 1 Column	27	270	27,000

BLIZZARD FEATURES & OPTIONS

Hydrocarbon (HC) Refrigerants

Commercially available HC refrigerants are efficient, environmentally safe, and non-ozone depleting.

Audible & Visible Alarms

The on-board Electronic Control Center comes with internal temperature monitoring and alarm systems with visible and audible notifications.

Battery Backup

Powers the control center and alarms in the event of an interruption in the primary power source.

Insulated Inner Doors*

Compartmentalizing the inner chambers with individually latching doors greatly increases temperature stability when moving samples in & out of storage.

Backup CO₂ / LN₂ Cooling*

Hook up to a CO₂ and/or LN₂ system to maintain internal storage temperature in the event of a power outage.

Adjustable Internal Shelves

Provides extra flexibility in storage rack configuration. They can also be removed and rearranged, if desired.

Front Filter Access

Allows convenient access for routine maintenance to the washable pre-filter.

An easy-to-open front grill allows convenient access to a washable mesh filter and ULT condenser for routine maintenance.



Vacuum Insulated Panels (VIP)

The freezer cabinet structures integrate a high density, low conductivity polyurethane foam and vacuum insulation panels (VIP) to improve temperature stability and maximize storage capacity.

Circular Chart Recorder*

A circular chart recorder can be optionally mounted on the front of your ULT for independent internal temperature monitoring and recording.



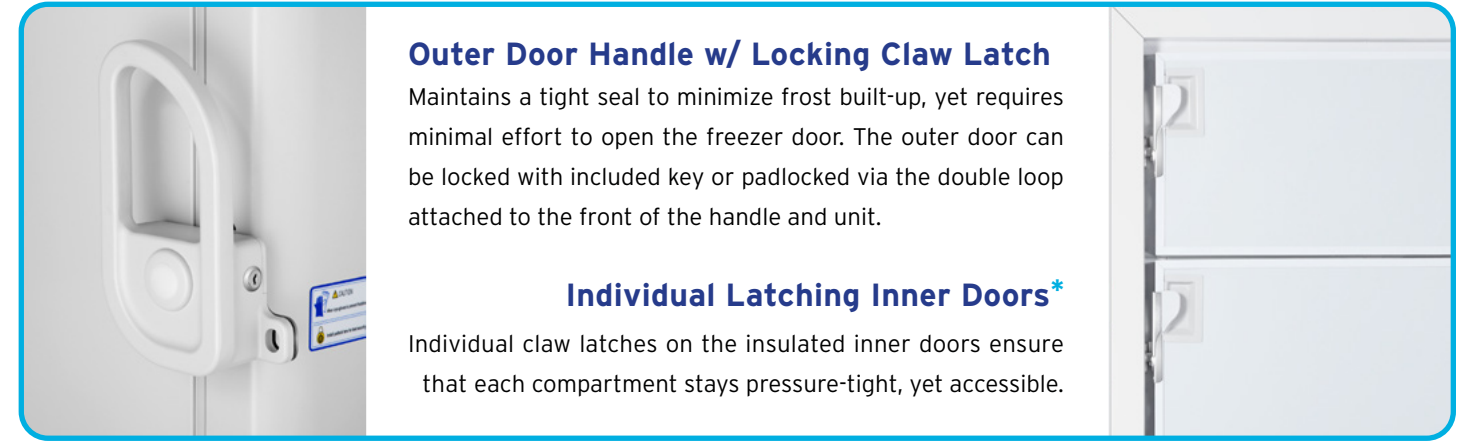
NU-99578J

Outer Door Handle w/ Locking Claw Latch

Maintains a tight seal to minimize frost built-up, yet requires minimal effort to open the freezer door. The outer door can be locked with included key or padlocked via the double loop attached to the front of the handle and unit.

Individual Latching Inner Doors*

Individual claw latches on the insulated inner doors ensure that each compartment stays pressure-tight, yet accessible.

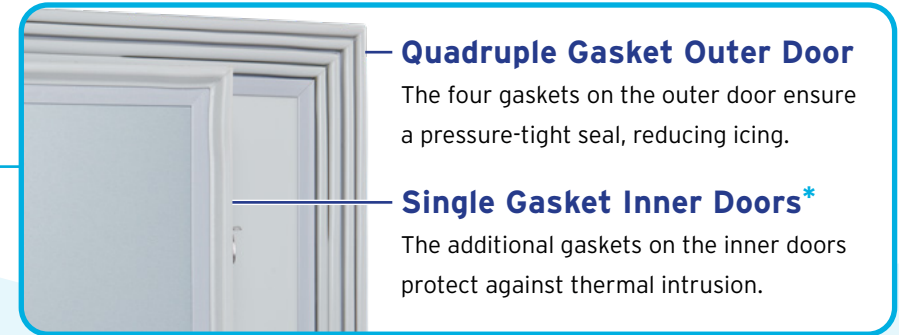


Quadruple Gasket Outer Door

The four gaskets on the outer door ensure a pressure-tight seal, reducing icing.

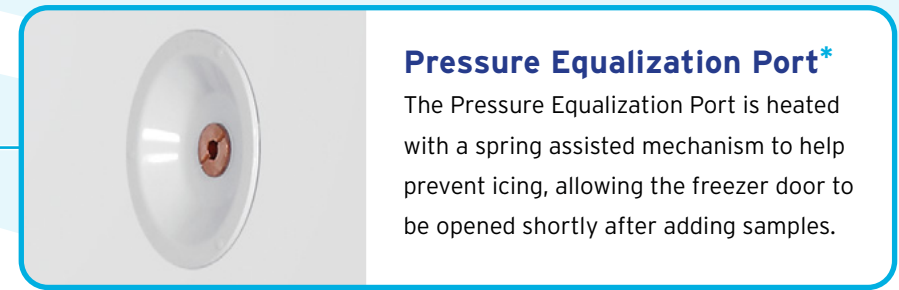
Single Gasket Inner Doors*

The additional gaskets on the inner doors protect against thermal intrusion.



Pressure Equalization Port*

The Pressure Equalization Port is heated with a spring assisted mechanism to help prevent icing, allowing the freezer door to be opened shortly after adding samples.



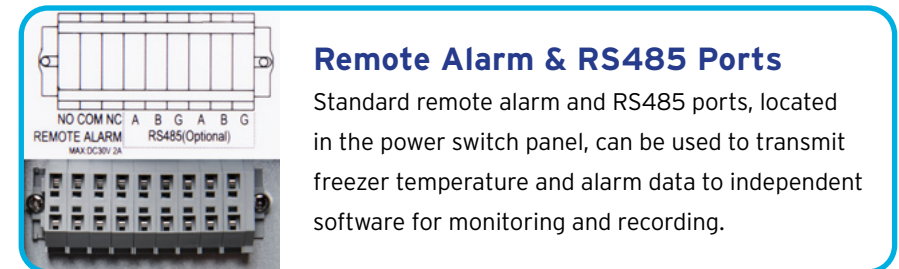
USB Data Port

Easily download freezer data via the USB port located on the electronic control center.



Remote Alarm & RS485 Ports

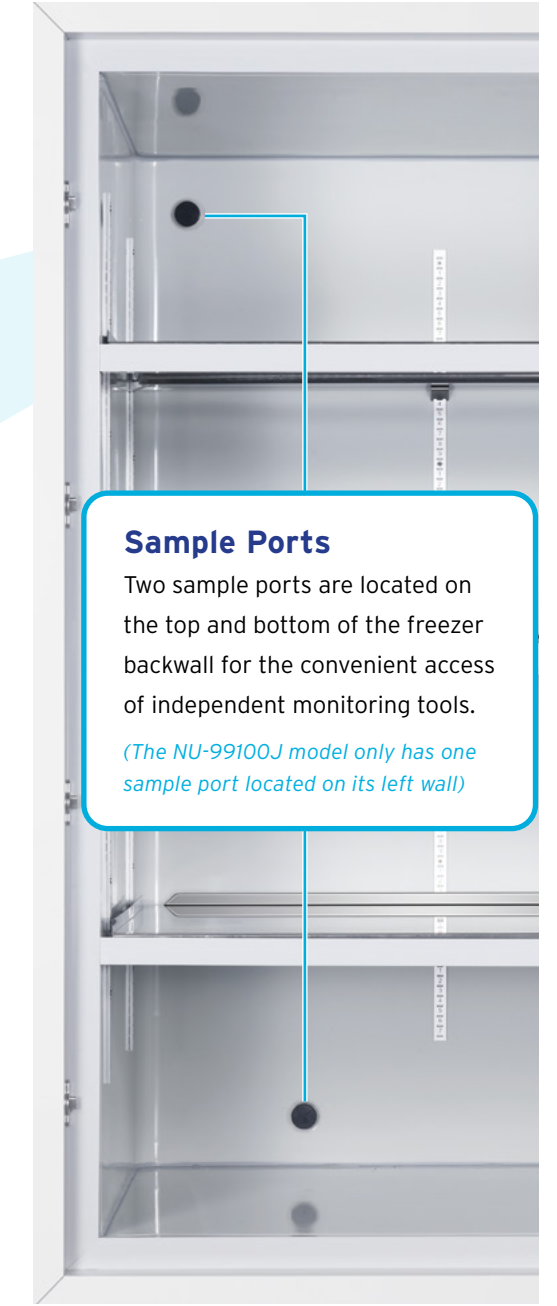
Standard remote alarm and RS485 ports, located in the power switch panel, can be used to transmit freezer temperature and alarm data to independent software for monitoring and recording.



Sample Ports

Two sample ports are located on the top and bottom of the freezer backwall for the convenient access of independent monitoring tools.

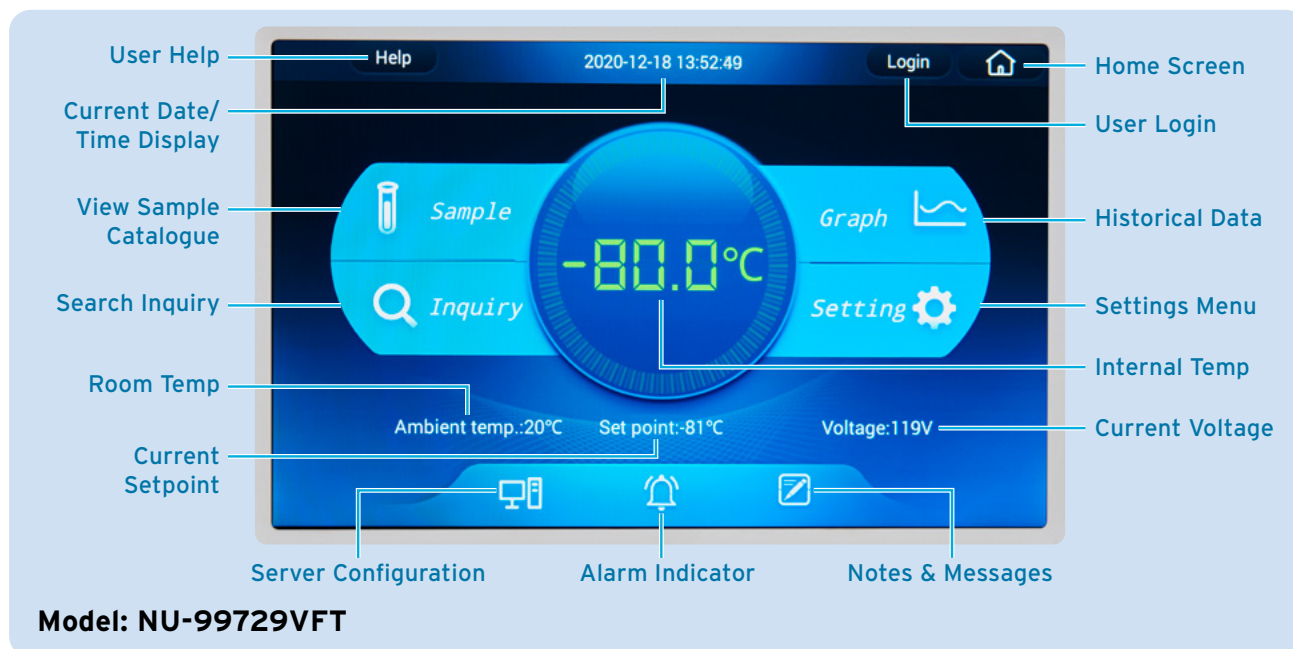
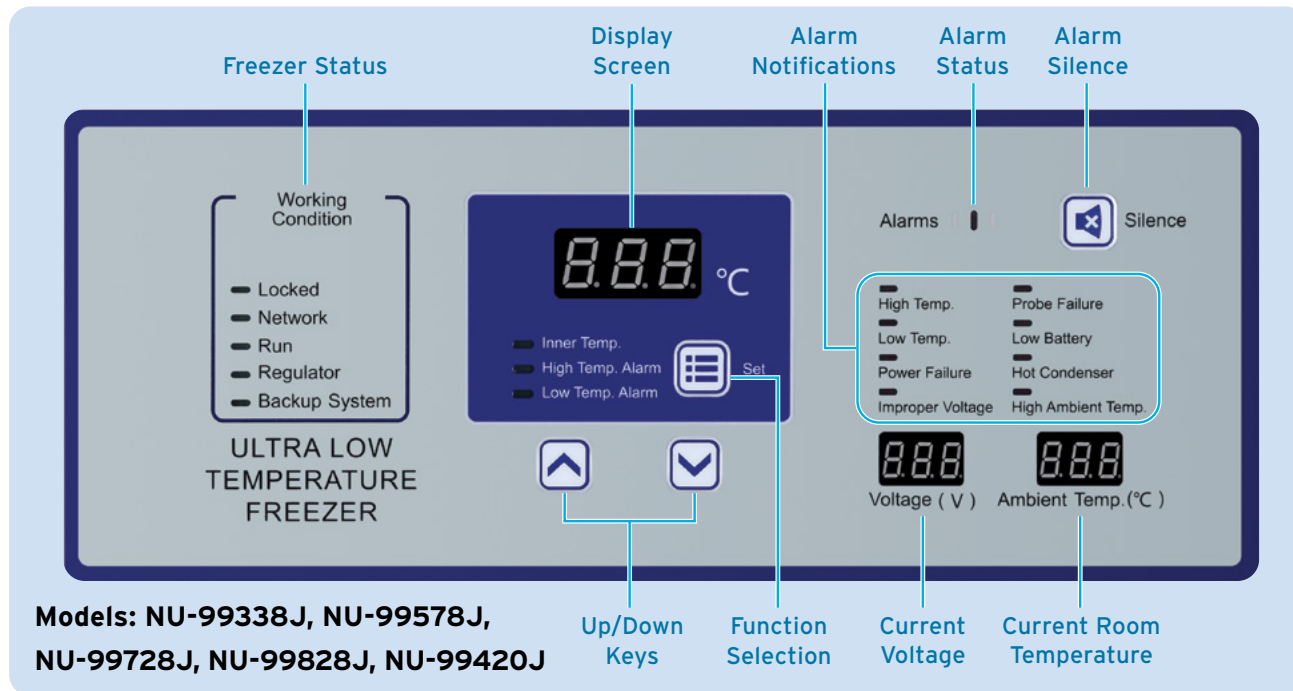
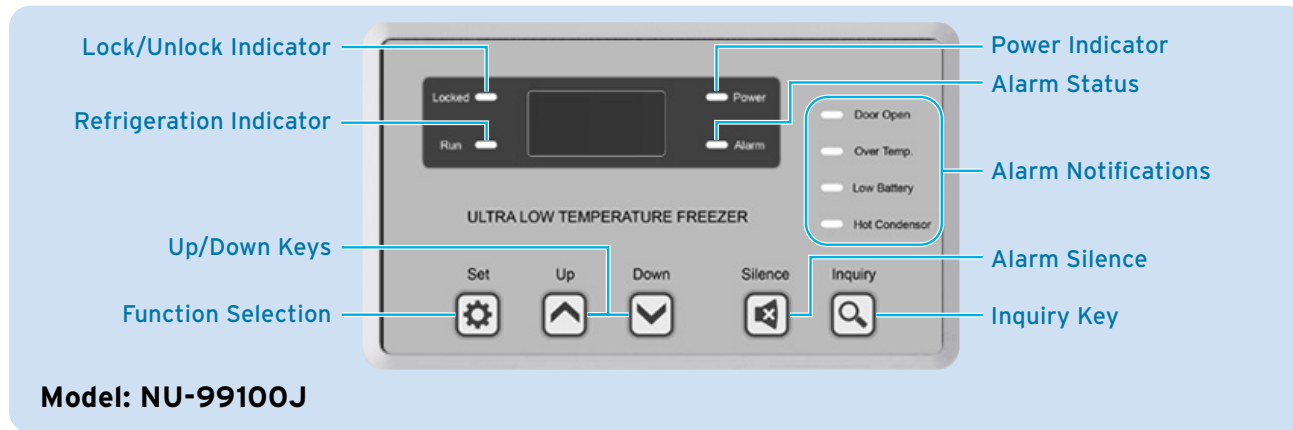
(The NU-99100J model only has one sample port located on its left wall)



NU-99728J

*Note: Listed feature/option is unavailable on the Blizzard NU-99100J model.

CONTROL PANELS



ALARM CODES

Alarm Indicator	Event
High/Low Temperature	Internal Temperature Ventures Outside Setpoint Parameters
High Ambient Temperature	Ambient Temperature Exceeds 35°C
Power Failure	Loss of Power to Unit
Door Ajar	Door Opening Exceeds Setpoint (Adjustable 0 to 20 Minutes)
Sensor Error	E10 - Temperature Control Sensor Failure E11 - Ambient Sensor Failure E12 - Condenser Sensor Failure
Low Battery	Internal Battery is Close to End of Life / Battery Switch is Off
Condenser Fault	Condenser Filter Blocked or Overheating Due to High Ambient Temperature

Alarm Indicator	Event
High Temperature	Internal Temperature Above Setpoint Parameters
Low Temperature	Internal Temperature Below Setpoint Parameters
High Ambient Temperature	Ambient Temperature Exceeds 35°C
Power Failure	Loss of Power to Unit
Door Ajar	Door Opening Exceeds Set Time Limit (Adjustable 0 to 20 Minutes)
Sensor Error	E0 - Ambient Sensor Failure E1 - Condenser Sensor Failure E2 - Temperature Control Sensor Failure E3 - Heat Exchanger Sensor Failure E4 - Heat Exchanger Temperature Failure
Low Battery	Internal Battery is Close to End of Life / Battery Switch is Off
Condenser Fault	Condenser Filter Blocked or Overheating Due to High Ambient Temperature

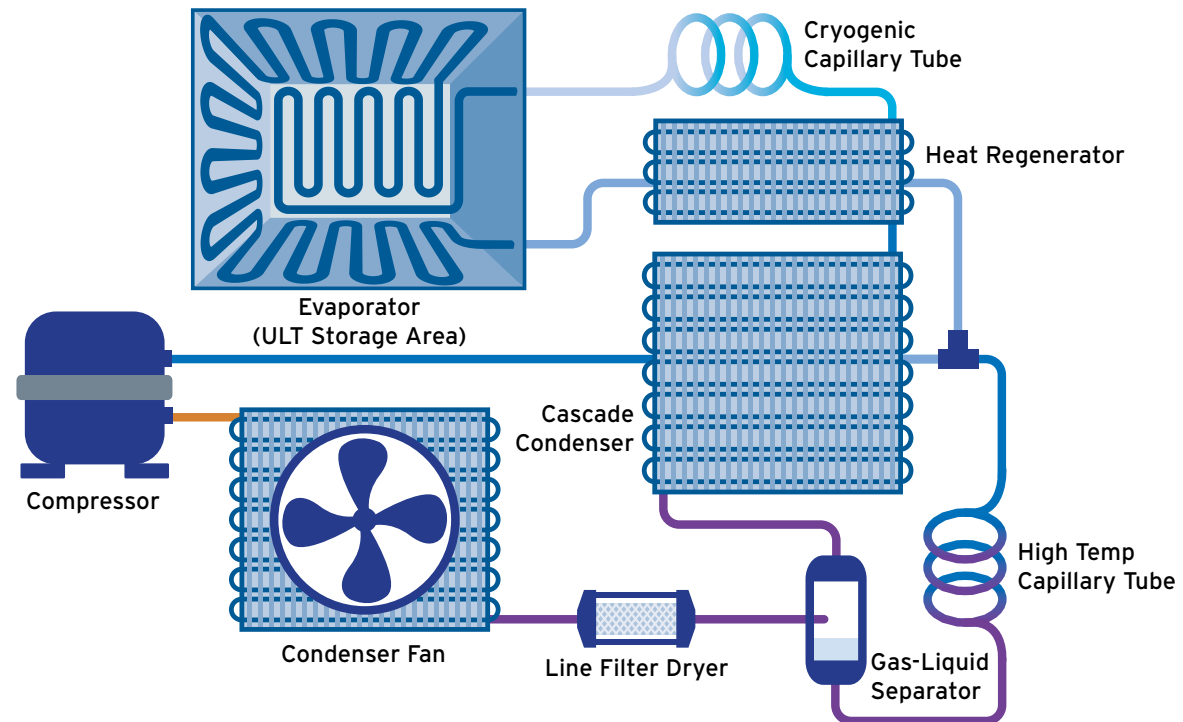
Alarm Indicator	Event	Indicator Color*
High/Low Temperature	Internal Temperature Exceeds Setpoint Parameters	Red
Power Failure	Loss of Power to Unit	Red
Door Ajar	Door Opening Exceeds Setpoint Parameters	Red
High Ambient Temperature	Ambient Temperature Exceeds 35°C	Yellow
Heat Exchanger Fault	Heat Exchanger Blocked or Exceeds 35°C	Yellow
Sensor Fault	Main Temperature Reading Sensor Failure	Yellow
Battery Fault	Internal Battery is Low on Power / Battery Switch is Off	Yellow
Condenser Fault	Condenser Filter Blocked or Overheating	Yellow
Backup System Fault	Unit Loses Connection to Backup System	Yellow

*Red indicates Alarm Types affect internal temperature of ULT. Yellow indicates Alarm Types do not affect internal temperature.

ULT FREEZER CONSTRUCTION

Single Stage Refrigeration System*

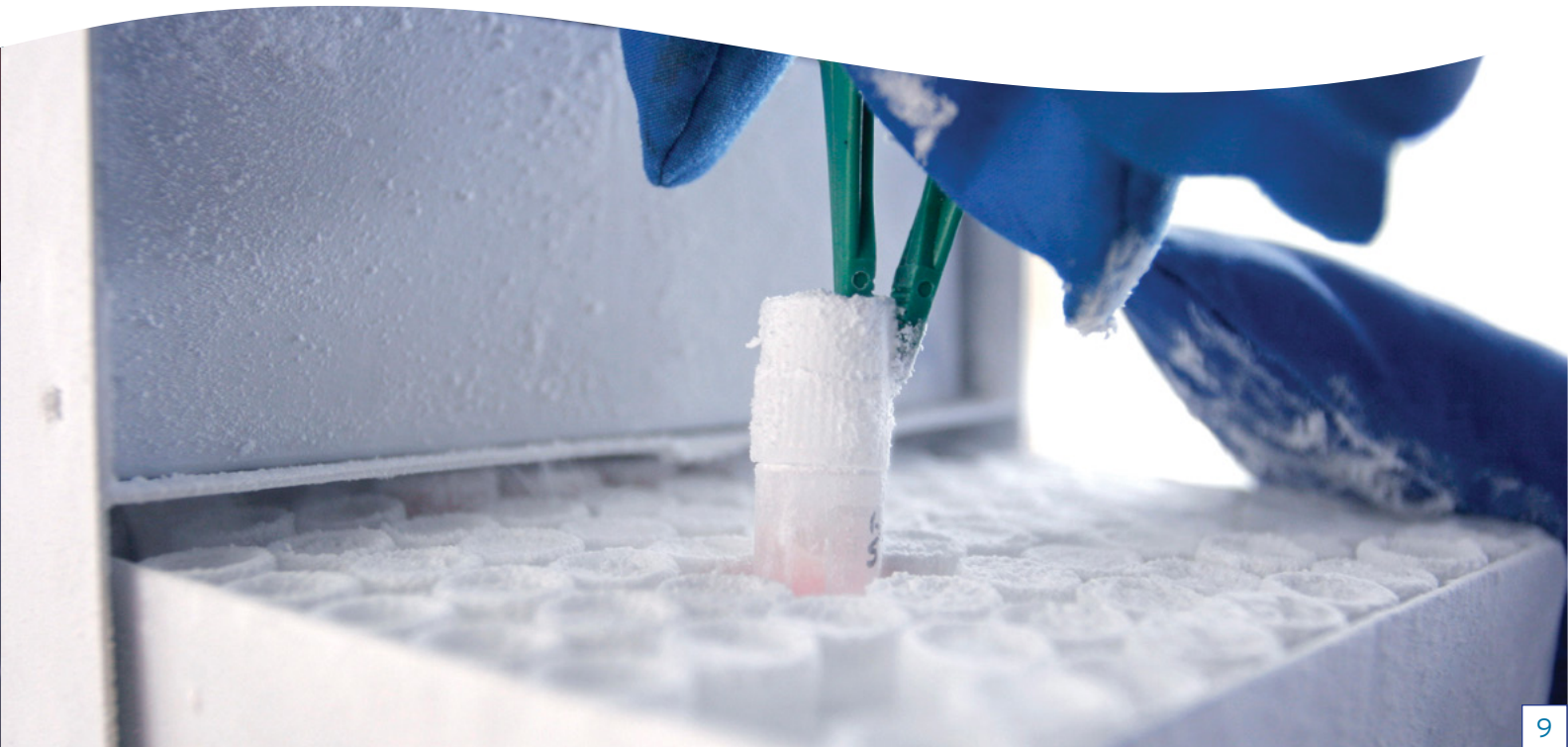
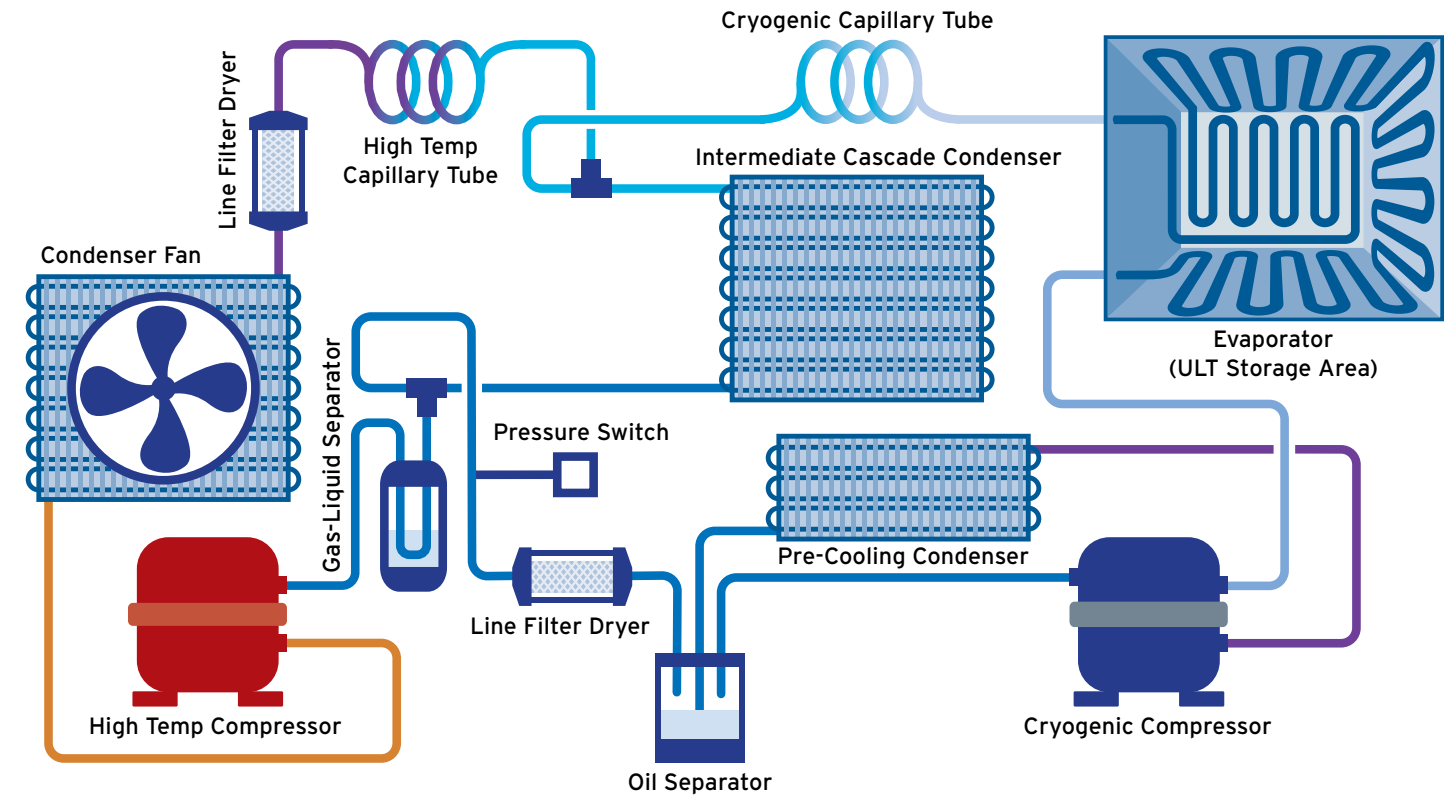
A single compressor refrigeration system is used for the under-counter Blizzard unit to preserve optimal storage conditions while still offering rapid and energy-efficient cooling.



*Blizzard Model NU-99100J only

Dual Stage Refrigeration System

A dual compressor refrigeration system offers an enhanced heat exchange system to consistently maintain optimal storage conditions and rapidly recover storage temperature after door openings.



NU-99100J UNDER-COUNTER

Capacity: 3.5 ft³ / 100 L

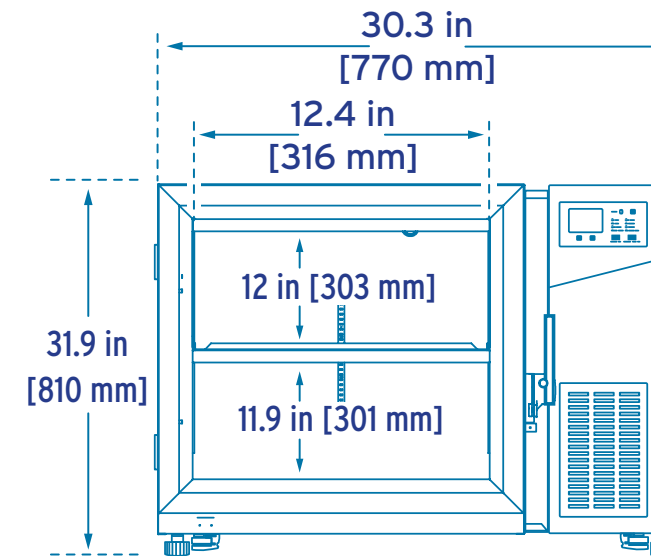
The **Blizzard HC (Hydrocarbon) -86°C Under-Counter Ultralow Mini-Freezer** utilizes non-toxic HC refrigerants and protects samples within steel walls and composite insulation. The small, compact design facilitates easy access, while the front electronic control panel clearly displays running parameters and includes a USB port to download up to fifteen years worth of performance data.

Blizzard NU-99100J Specifications	
Configuration	Under-Counter
Storage Capacity	3.5 ft ³ [100 L]
Temperature Range	-40°C to -86°C
Certifications	UL listed, CE
Interior Dimensions (W x D x H)	13 x 18.9 x 24.8 in [330 x 481 x 630 mm]
Exterior Dimensions (W x D x H)	30.3 x 26 x 31.9 in [770 x 660 x 810 mm]
Net Weight	238 lbs [108 kg]
Temperature Uniformity	±5°C
Temperature Accuracy	±1°C
Cool Down Time (25°C Ambient to -80°C)	310 Minutes
Warm Up Time (-80°C to -50°C)	120 Minutes
1 min Door Open Recovery Time (25°C Ambient; -75°C Setpoint)	100 Minutes
Noise Level	Up to 47 dba
Electrical*	GA = 120 V / 60 Hz / 680 W E = 230 V / 50 Hz / 680 W
Power Consumption	5.5 kWh/day
Insulation	VIP + High Density Polyurethane Foam
Door Seal	Outer: Quadruple Silicone Gasket Inner: No Seal
Number of Inner Doors	2 Stainless Steel w/ Magnetic Latch
Shelf Info (W x D)	1 Adjustable Stainless Steel Shelf 12.4 x 16.7 in [316 x 424 mm] Max Weight: 30 lbs [13.6 kg]
Casters	4 One-Direction Casters w/ 2 Front Leg Levelers
Exterior Material	Zinc-Coated Steel w/ Matte Finish
Interior Material	Zinc-Coated Steel
Enclosure Thickness	2.75 in [70 mm]
Door Thickness	Outer: 3.5 in [90 mm] Inner: 0.1 in [3 mm]
Condenser Type	Enhanced Micro-Channel & Forced-Air Cooled
Refrigeration System Type	Air Cooling
Compressor Type / Brand / Number	Hermetic Reciprocating / SECOP / 1
Compressor Capacity	950 W
Evaporator Type	Cold Wall w/ Enhanced Heat Transfer Treatment
Defrost Method	Manual
Refrigerant Charge / Flammable	R600A + R1150 + R50 Blend / Flammable
Controller Type	Microprocessor Control, LED Display, USB Data Export
Setpoint Security	Yes
Remote Data Terminals	Remote Alarm + RS485 Ports
Power Cord Length	8.2 ft [2.5 m]

*Note: Add letter suffix to model number to indicate electrical specifications. (ex. NU-99100JE = 230V / 50Hz / 680W)

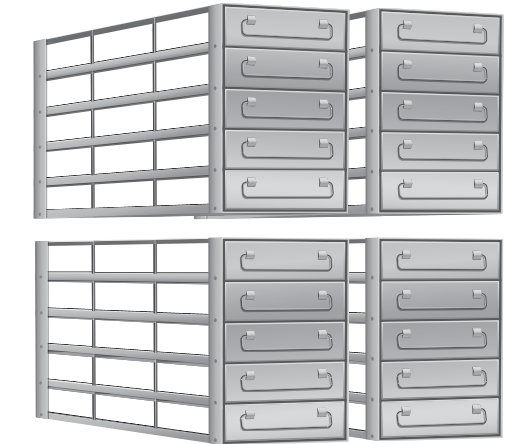
Freezer Rack Capacity:
NU-99100J Under-Counter ULT

4 Racks (5 Rows x 3 Columns)
60 Boxes (2 in [5 cm])
6,000 Vials (2 mL)



Unit Depth: 26 in [660 mm]
Shelf Depth: 16.7 in [424 mm]

Electrical:
115V / 60Hz
230V / 50Hz



Scan or click QR code to learn more online at www.nuaire.com

3 YEAR WARRANTY
PARTS + LABOR
United States & Canada

*Contact your local NuAire distributor for international warranty details.



NU-99338J UPRIGHT

Capacity: 12 ft³ / 341 L

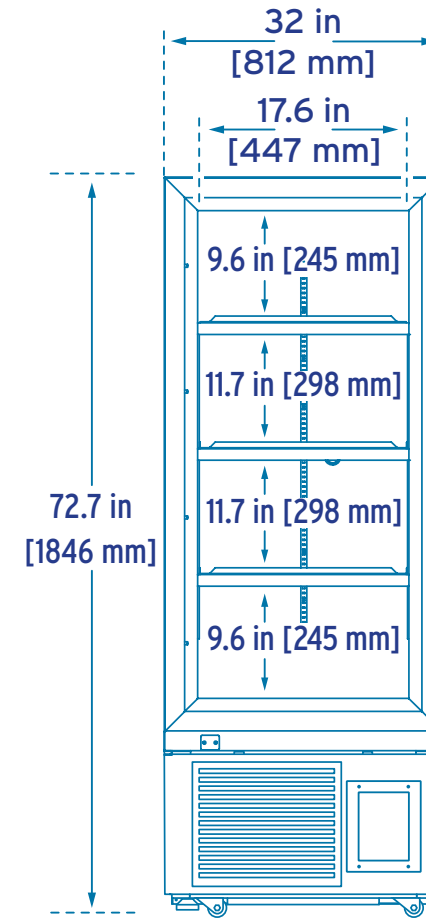
The **Blizzard HC NU-99338J -86°C Upright Ultralow Freezer** features non-toxic hydrocarbon (HC) refrigerants and protects samples within steel walls and composite insulation. Multiple, polyurethane foam insulated interior doors allow easy access with minimal temperature loss to racks set on the stainless-steel shelves inside. The NU-99338J has a storage capacity of 12 ft³ [341 L] and accommodates up to six 4x4, plus six 5x4 ULT freezer racks (216 total 2" [5 cm] high boxes).



Blizzard NU-99338J Specifications	
Configuration	Upright
Storage Capacity	12 ft ³ [341 L]
Temperature Range	-40°C to -86°C
Certifications	UL listed, CE
Interior Dimensions (W x D x H)	18.3 x 24.8 x 45.9 in [465 x 630 x 1165 mm]
Exterior Dimensions (W x D x H)	32 x 35.2 x 72.7 in [812 x 894 x 1846 mm]
Net Weight	525 lbs [238 kg]
Temperature Uniformity	±5°C
Temperature Accuracy	±1°C
Cool Down Time (25°C Ambient to -80°C)	195 Minutes
Warm Up Time (-80°C to -50°C)	200 Minutes
1 min Door Open Recovery Time (25°C Ambient; -75°C Setpoint)	25 Minutes
Noise Level	Up to 50 dba
Electrical*	GA = 115 V / 60 Hz / 1,000 W G = 220 V / 60 Hz / 1,000 W E = 230 V / 50 Hz / 650 W
Power Consumption	8 kWh/day
Insulation	VIP + CFC Free Foaming Agent
Door Seal	Outer: Quadruple Silicone Gasket Inner: Single Silicone Gasket
Number of Inner Doors	2 Individual Latching Doors
Shelf Info (W x D)	3 Adjustable Stainless Steel Shelves 17.6 x 23.4 in [447 x 595 mm] Max Weight: 110 lbs [50 kg]
Casters	4 All-Direction Casters w/ 2 Front Leg Levelers
Exterior Material	Zinc-Coated Steel w/ Matte Finish
Interior Material	Zinc-Coated Steel
Enclosure Thickness	5.1 in [130 mm]
Door Thickness	Outer: 3.5 in [90 mm] Inner: 1.4 in [35 mm]
Condenser Type	Enhanced Micro-Channel & Forced-Air Cooled
Refrigeration System Type	Direct Cooling
Compressor Type / Brand / Number	Hermetic Reciprocating / SECOP / 2
Compressor Capacity	950 W
Evaporator Type	Cold Wall w/ Enhanced Heat Transfer Treatment
Defrost Method	Manual
Refrigerant Charge / Flammable	R290 + R170 / Flammable
Controller Type	Microprocessor Control, LED Display, USB Data Export
Setpoint Security	Yes
Remote Data Terminals	Remote Alarm + RS232 / RS485 Ports
Power Cord Length	8.2 ft [2.5 m]

*Note: Add letter suffix to model number to indicate electrical specifications. (ex. NU-99338JE = 230V / 50Hz / 650W)

Freezer Rack Capacity: NU-99338J Upright ULT



Unit Depth: 35.2 in [894 mm]
Shelf Depth: 23.4 in [595 mm]

Electrical: 115V / 60Hz
220V / 60Hz
230V / 50Hz

12* Racks (6x 4 Rows / 4 Columns)
216 Boxes (2 in [5 cm])
21,600 Vials (2 mL)

*Due to the unique two inner door design on the NU-99338J model, 6 sets of 5x5 freezer racking and 6 sets of the 4x5 freezer racking can be used to maximize storage capacity.



3 YEAR WARRANTY
PARTS + LABOR
United States & Canada

*Contact your local NuAire distributor for international warranty details.



Scan or click QR code to learn more online at www.nuaire.com

NU-99578J UPRIGHT

Capacity: 20.5 ft³ / 580 L

The **Blizzard HC NU-99578J -86°C Upright Ultralow Freezer** features a storage capacity of 20.5 ft³ [580 L] and reliable performance for the storage of tissue samples and vaccine vials. The NU-99578J model accommodates up to sixteen 5x5 ULT freezer racks (400 total 2" [5 cm] high boxes). The dual compressor refrigeration system employs an enhanced heat exchange apparatus that consistently maintains optimal storage conditions and rapidly recovers internal temperature after door openings.

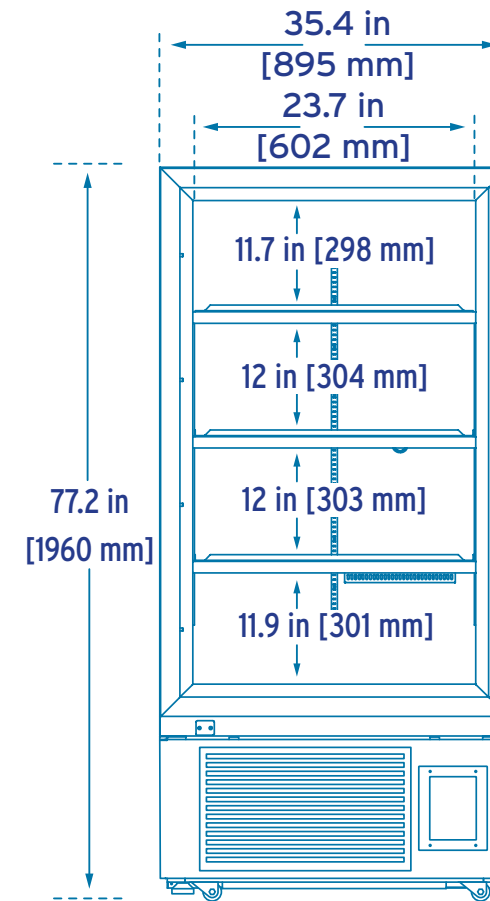


Blizzard NU-99578J Specifications	
Configuration	Upright
Storage Capacity	20.5 ft ³ [580 L]
Temperature Range	-40°C to -86°C
Certifications	UL listed, CE
Interior Dimensions (W x D x H)	24.4 x 28.2 x 51.6 in [620 x 716 x 1310 mm]
Exterior Dimensions (W x D x H)	35.4 x 38.6 x 77.2 in [895 x 980 x 1960 mm]
Net Weight	661 lbs [300 kg]
Temperature Uniformity	±5°C
Temperature Accuracy	±1°C
Cool Down Time (25°C Ambient to -80°C)	270 Minutes
Warm Up Time (-80°C to -50°C)	260 Minutes
1 min Door Open Recovery Time (25°C Ambient; -75°C Setpoint)	30 Minutes
Noise Level	Up to 50 dba
Electrical*	GA = 115 V / 60 Hz / 1,000 W G = 220 V / 60 Hz / 1,000 W E = 230 V / 50 Hz / 750 W
Power Consumption	8.5 kWh/day
Insulation	VIP + CFC Free Foaming Agent
Door Seal	Outer: Quadruple Silicone Gasket Inner: Single Silicone Gasket
Number of Inner Doors	4 Individual Latching Doors
Shelf Info (W x D)	3 Adjustable Stainless Steel Shelves 23.7 x 26.8 in [602 x 680 mm] Max Weight: 110 lbs [50 kg]
Casters	4 All-Direction Casters w/ 2 Front Leg Levelers
Exterior Material	Zinc-Coated Steel w/ Matte Finish
Interior Material	Zinc-Coated Steel
Enclosure Thickness	3.5 in [90 mm]
Door Thickness	Outer: 3.5 in [90 mm] Inner: 1.4 in [35 mm]
Condenser Type	Enhanced Micro-Channel & Forced-Air Cooled
Refrigeration System Type	Direct Cooling
Compressor Type / Brand / Number	Hermetic Reciprocating / SECOP / 2
Compressor Capacity	950 W
Evaporator Type	Cold Wall w/ Enhanced Heat Transfer Treatment
Defrost Method	Manual
Refrigerant Charge / Flammable	R290 + R170 / Flammable
Controller Type	Microprocessor Control, LED Display, USB Data Export
Setpoint Security	Yes
Remote Data Terminals	Remote Alarm + RS232 / RS485 Ports
Power Cord Length	8.2 ft [2.5 m]

*Note: Add letter suffix to model number to indicate electrical specifications.
(ex. NU-99578JE = 230V / 50Hz / 750W)

Freezer Rack Capacity:

NU-99578J Upright ULT



Unit Depth: 38.6 in [980 mm]

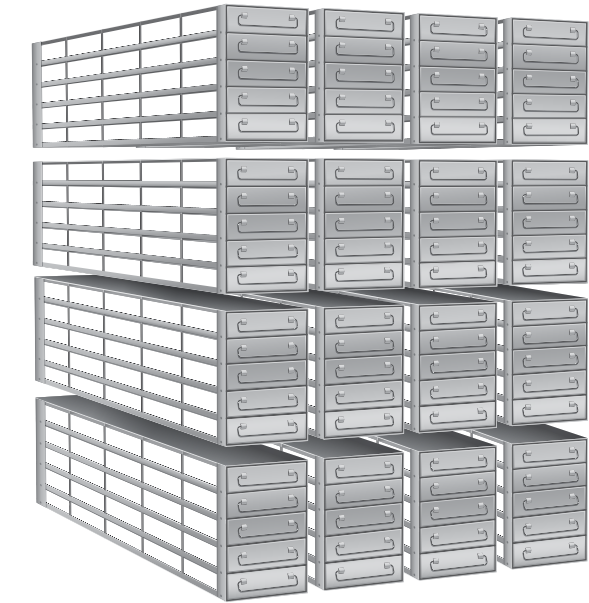
Shelf Depth: 26.8 in [680 mm]

Electrical: 115V / 60Hz
220V / 60Hz
230V / 50Hz

16 Racks (5 Rows x 5 Columns)

400 Boxes (2 in [5 cm])

40,000 Vials (2 mL)



3 YEAR WARRANTY
PARTS + LABOR
United States & Canada

*Contact your local NuAire distributor for international warranty details.



Scan or click QR code to learn more online at www.nuaire.com

NU-99728J UPRIGHT

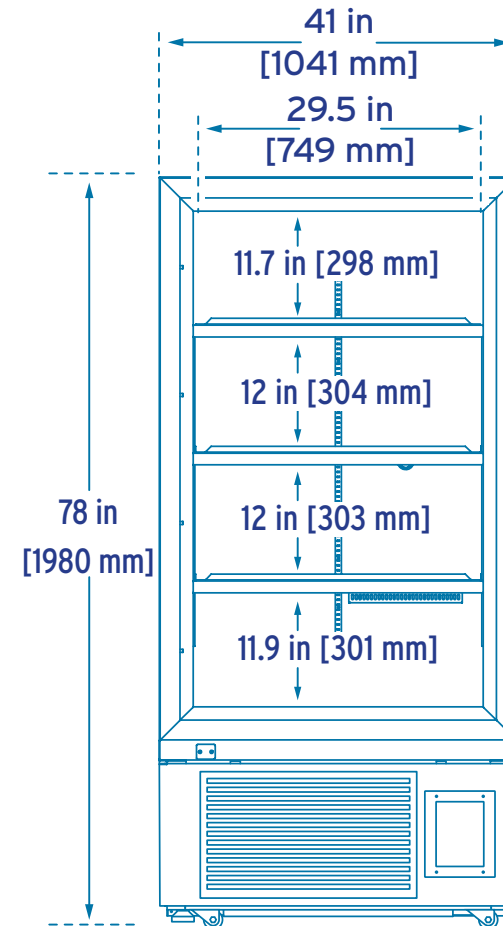
Capacity: 25.3 ft³ / 716 L

The **Blizzard HC NU-99728J -86°C Upright Ultralow Freezer** efficiently stores samples by using HC refrigerants and protects them within a stainless steel enclosure. The ULT is insulated with composite VIP and polyurethane foam. The NU-99728J has a storage capacity of 25.3 ft³ [716 L] and accommodates up to twenty 5x5 ULT freezer racks (500 total 2" [5 cm] high boxes). Operation parameters are displayed on the front electronic control panel in real-time and can be downloaded via the USB port for long term data logging.

Blizzard NU-99728J Specifications	
Configuration	Upright
Storage Capacity	25.3 ft ³ [716 L]
Temperature Range	-40°C to -86°C
Certifications	UL listed, CE
Interior Dimensions (W x D x H)	30.2 x 28.2 x 51.6 in [766 x 716 x 1310 mm]
Exterior Dimensions (W x D x H)	41 x 38.6 x 78 in [1041 x 980 x 1980 mm]
Net Weight	761 lbs [345 kg]
Temperature Uniformity	±5°C
Temperature Accuracy	±1°C
Cool Down Time (25°C Ambient to -80°C)	310 Minutes
Warm Up Time (-80°C to -50°C)	270 Minutes
1 min Door Open Recovery Time (25°C Ambient; -75°C Setpoint)	45 Minutes
Noise Level	Up to 50 dba
Electrical*	GA = 115 V / 60 Hz / 1,000 W G = 220 V / 60 Hz / 1,000 W E = 230 V / 50 Hz / 1,000 W
Power Consumption	10.5 kWh/day
Insulation	VIP + CFC Free Foaming Agent
Door Seal	Outer: Quadruple Silicone Gasket Inner: Single Silicone Gasket
Number of Inner Doors	4 Individual Latching Doors
Shelf Info (W x D)	3 Adjustable Stainless Steel Shelves 29.5 x 26.8 in [749 x 680 mm] Max Weight: 110 lbs [50 kg]
Casters	4 All-Direction Casters w/ 2 Front Leg Levelers
Exterior Material	Zinc-Coated Steel w/ Matte Finish
Interior Material	Zinc-Coated Steel
Enclosure Thickness	3.5 in [90 mm]
Door Thickness	Outer: 3.5 in [90 mm] Inner: 1.4 in [35 mm]
Condenser Type	Enhanced Micro-Channel & Forced-Air Cooled
Refrigeration System Type	Direct Cooling
Compressor Type / Brand / Number	Hermetic Reciprocating / SECOP / 2
Compressor Capacity	950 W
Evaporator Type	Cold Wall w/ Enhanced Heat Transfer Treatment
Defrost Method	Manual
Refrigerant Charge / Flammable	R290 + R170 / Flammable
Controller Type	Microprocessor Control, LED Display, USB Data Export
Setpoint Security	Yes
Remote Data Terminals	Remote Alarm + RS232 / RS485 Ports
Power Cord Length	8.2 ft [2.5 m]

*Note: Add letter suffix to model number to indicate electrical specifications.
(ex. NU-99728JE = 230V / 50Hz / 1,000W)

Freezer Rack Capacity: NU-99728J Upright ULT



Unit Depth: 38.6 in [980 mm]
Shelf Depth: 26.8 in [680 mm]

Electrical: 115V / 60Hz
220V / 60Hz
230V / 50Hz

20 Racks (5 Rows x 5 Columns)

500 Boxes (2 in [5 cm])

50,000 Vials (2 mL)



3 YEAR WARRANTY
PARTS + LABOR
United States & Canada

*Contact your local NuAire distributor for international warranty details.



Scan or click QR code to learn more online at www.nuaire.com

NU-99729VFT UPRIGHT

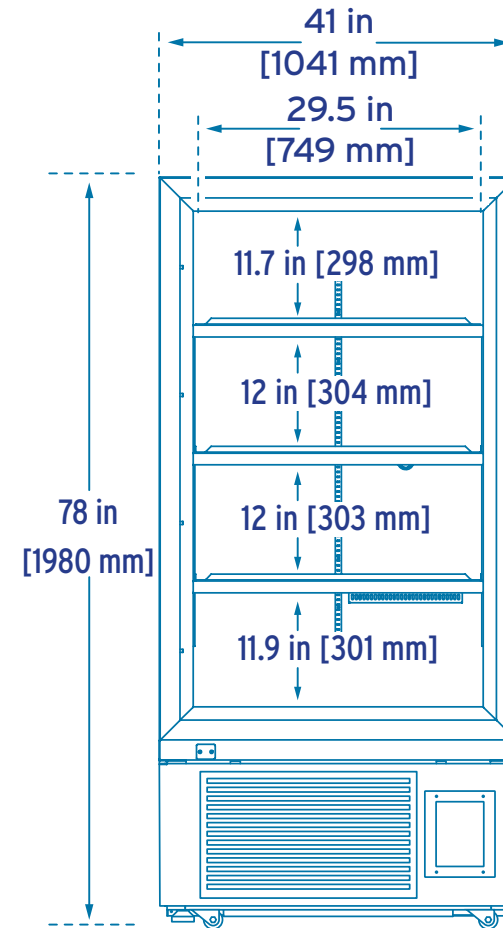
Capacity: 25.3 ft³ / 716 L

The Blizzard NU-99729VFT (Variable Frequency & Touchscreen) -86°C Upright Ultralow Freezer features an intuitive LCD touchscreen control center that can catalogue ULT inventory, allows user account creation, graphs past freezer performance, and produces visual/audible alarms. Because this model utilizes a variable frequency motor, it can be operated on a wide array of electrical outputs. The ultra-silent compressor motor is also Energy Star Certified for US and Canada.

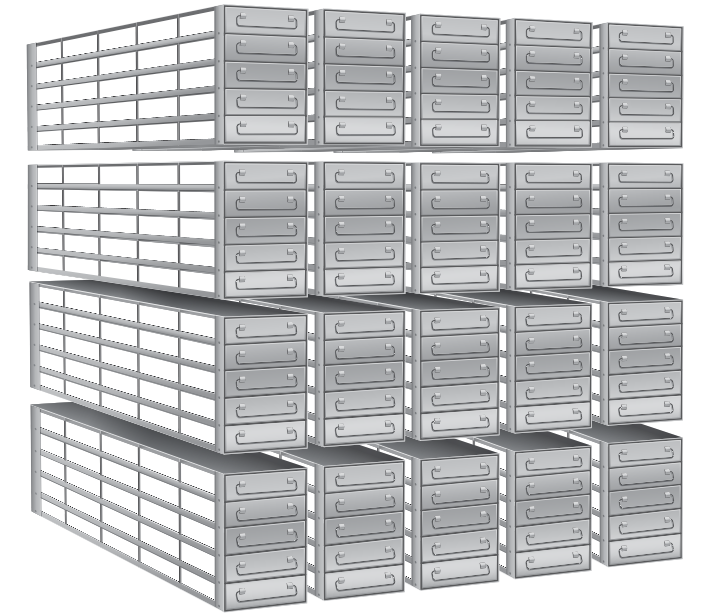


Blizzard NU-99729VFT Specifications	
Configuration	Upright
Storage Capacity	25.3 ft ³ [716 L]
Temperature Range	-40°C to -86°C
Certifications	UL listed, CE, Energy Star
Interior Dimensions (W x D x H)	30.2 x 28.2 x 51.6 in [766 x 716 x 1310 mm]
Exterior Dimensions (W x D x H)	41 x 38.6 x 78 in [1041 x 980 x 1980 mm]
Net Weight	771 lbs [350 kg]
Temperature Uniformity	±3°C
Temperature Accuracy	±1°C
Cool Down Time (25°C Ambient to -80°C)	310 Minutes
Warm Up Time (-80°C to -50°C)	300 Minutes
1 min Door Open Recovery Time (25°C Ambient; -75°C Setpoint)	45 Minutes
Noise Level	Up to 43.5 dba
Electrical	100-230 V / 50-60 Hz / 15-20 A / 1,100 W
Power Consumption	8 kWh/day
Insulation	VIP + CFC Free Foaming Agent
Door Seal	Outer: Quadruple Silicone Gasket Inner: Single Silicone Gasket
Number of Inner Doors	4 Individual Latching Doors
Shelf Info (W x D)	3 Adjustable Stainless Steel Shelves 29.5 x 26.8 in [749 x 680 mm] Max Weight: 110 lbs [50 kg]
Casters	4 All-Direction Casters w/ 2 Front Leg Levelers
Exterior Material	Zinc-Coated Steel w/ Matte Finish
Interior Material	Zinc-Coated Steel
Enclosure Thickness	3.5 in [90 mm]
Door Thickness	Outer: 3.5 in [90 mm] Inner: 1.4 in [35 mm]
Condenser Type	Enhanced Micro-Channel & Forced-Air Cooled
Refrigeration System Type	Direct Cooling
Compressor Type / Brand / Number	Fully Closed / NLV12.6CN-SECOP / 2
Compressor Capacity	950 W
Evaporator Type	Cold Wall w/ Enhanced Heat Transfer Treatment
Defrost Method	Manual
Refrigerant Charge / Flammable	R290 + R170 / Flammable
Controller Type	Microprocessor Control, LCD Touchscreen Display, USB Data Export
Setpoint Security	Yes
Remote Data Terminals	Remote Alarm + RS485 Ports
Power Cord Length	8.2 ft [2.5 m]

Freezer Rack Capacity: NU-99729VFT Upright ULT



20 Racks (5 Rows x 5 Columns)
500 Boxes (2 in [5 cm])
50,000 Vials (2 mL)



Unit Depth: 38.6 in [980 mm]
Shelf Depth: 26.8 in [680 mm]

Electrical:
100-230 V
50-60 Hz
15-20 A

NU-99729VFT Power Cord Standard Options

*Other power cord options are available upon request.



220V NEMA 6-15P (15A)



115V NEMA 5-20P (20A)



125V US (15A)



125V US (20A)



250V EU Type C (16A)



240V UK Type G (16A)



www.nuaire.com

5 YEAR WARRANTY
PARTS + LABOR
United States & Canada

*Contact your local NuAire distributor for international warranty details.



NU-99828J UPRIGHT

Capacity: 28.7 ft³ / 813 L

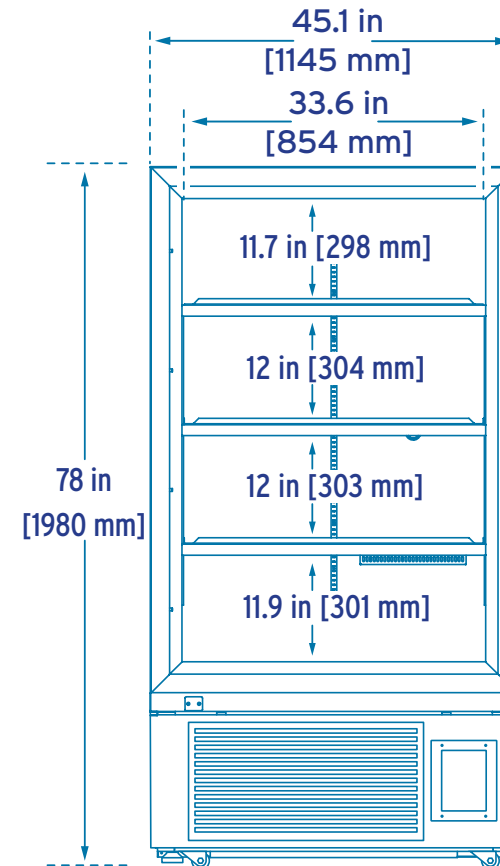
The **Blizzard HC NU-99828J -86°C Upright Ultralow Freezer** features the largest storage capacity among NuAire Blizzard models of 28.7 ft³ [813 L] and accommodates up to twenty-four 5x5 ULT freezer racks (600 total 2" [5 cm] high boxes). The Pressure Equalization Port, located on the interior of the coated steel outer door, helps prevent icing and allows the freezer door to be easily opened again shortly after adding or removing samples.



Blizzard NU-99828J Specifications	
Configuration	Upright
Storage Capacity	28.7 ft ³ [813 L]
Temperature Range	-40°C to -86°C
Certifications	UL listed, CE
Interior Dimensions (W x D x H)	34.3 x 28.2 x 51.6 in [870 x 716 x 1310 mm]
Exterior Dimensions (W x D x H)	45.1 x 38.6 x 78 in [1145 x 980 x 1980 mm]
Net Weight	836 lbs [380 kg]
Temperature Uniformity	±4°C
Temperature Accuracy	±1°C
Cool Down Time (25°C Ambient to -80°C)	320 Minutes
Warm Up Time (-80°C to -50°C)	300 Minutes
1 min Door Open Recovery Time (25°C Ambient; -75°C Setpoint)	50 Minutes
Noise Level	Up to 50 dba
Electrical*	G = 220 V / 60 Hz / 1,000 W E = 230 V / 50 Hz / 1,000 W
Power Consumption	12 kWh/day
Insulation	VIP + CFC Free Foaming Agent
Door Seal	Outer: Quadruple Silicone Gasket Inner: Single Silicone Gasket
Number of Inner Doors	4 Individual Latching Doors
Shelf Info (W x D)	3 Adjustable Stainless Steel Shelves 33.6 x 26.8 in [854 x 680 mm] Max Weight: 110 lbs [50 kg]
Casters	4 All-Direction Casters w/ 2 Front Leg Levelers
Exterior Material	Zinc-Coated Steel w/ Matte Finish
Interior Material	Zinc-Coated Steel
Enclosure Thickness	3.5 in [90 mm]
Door Thickness	Outer: 3.5 in [90 mm] Inner: 1.4 in [35 mm]
Condenser Type	Enhanced Micro-Channel & Forced-Air Cooled
Refrigeration System Type	Direct Cooling
Compressor Type / Brand / Number	Hermetic Reciprocating / SECOP / 2
Compressor Capacity	950 W
Evaporator Type	Cold Wall w/ Enhanced Heat Transfer Treatment
Defrost Method	Manual
Refrigerant Charge / Flammable	R290 + R170 / Flammable
Controller Type	Microprocessor Control, LED Display, USB Data Export
Setpoint Security	Yes
Remote Data Terminals	Remote Alarm + RS232 / RS485 Ports
Power Cord Length	8.2 ft [2.5 m]

*Note: Add letter suffix to model number to indicate electrical specifications. (ex. NU-99828JE = 230V / 50Hz / 1,000W)

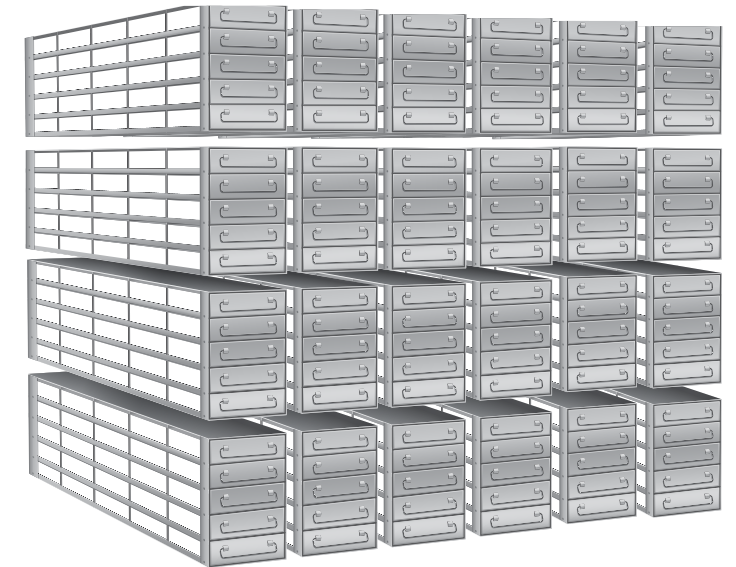
Freezer Rack Capacity: NU-99828J Upright ULT



Unit Depth: 38.6 in [980 mm]
Shelf Depth: 26.8 in [680 mm]

Electrical: 220V / 60Hz
230V / 50Hz

24 Racks (5 Rows x 5 Columns)
600 Boxes (2 in [5 cm])
60,000 Vials (2 mL)



3 YEAR WARRANTY
PARTS + LABOR
United States & Canada

*Contact your local NuAire distributor for international warranty details.



Scan or click QR code to learn more online at www.nuaire.com

NU-99420J CHEST

Capacity: 14.5 ft³ / 412 L



The **Blizzard HC NU-99420J -86°C Chest Ultralow Freezer** features a storage capacity of 14.5 ft³ [412 L] and reliable performance for the storage of stem cells, & tissue samples, and vaccine vials in labs with limited vertical space. The chest ULT configuration accommodates up to twenty-seven 10x1 ULT freezer racks (270 total 2" [5 cm] high boxes).

Blizzard NU-99420J Specifications			
Configuration	Chest	Number of Inner Doors	3 Individual Doors
Storage Capacity	14.5 ft ³ [412 L]	Casters	4 All-Direction Casters w/ 2 Front Leg Levelers
Temperature Range	-40°C to -86°C	Exterior Material	Zinc-Coated Steel w/ Matte Finish
Certifications	UL listed, CE	Interior Material	Zinc-Coated Steel
Interior Dimensions (W x D x H)	53.8 x 18.2 x 25.7 in [1367 x 462 x 652 mm]	Enclosure Thickness	5.5 in [140 mm]
Exterior Dimensions (W x D x H)	83.9 x 34.3 x 40.2 in [2130 x 870 x 1020 mm]	Door Thickness	Outer: 3.94 in [100 mm] Inner: 1.57 in [40 mm]
Net Weight	682 lbs [310 kg]	Condenser Type	Enhanced Micro-Channel & Forced-Air Cooled
Temperature Uniformity	±5°C	Refrigeration System Type	Direct Cooling
Temperature Accuracy	±1°C	Compressor Type / Brand / Number	Hermetic Reciprocating / SECOP / 2
Cool Down Time (25°C Ambient to -80°C)	240 Minutes	Compressor Capacity	950 W
Warm Up Time (-80°C to -50°C)	150 Minutes	Evaporator Type	Cold Wall w/ Enhanced Heat Transfer Treatment
1 min Door Open Recovery Time (25°C Ambient; -75°C Setpoint)	30 Minutes	Defrost Method	Manual
Noise Level	Up to 50 dba	Setpoint Security	Yes
Insulation	VIP + CFC Free Foaming Agent	Refrigerant Charge / Flammable	R290 + R170 / Flammable
Electrical*	G = 220 V / 60 Hz / 1,000 W E = 230 V / 50 Hz / 1,000 W	Controller Type	Microprocessor Control, LED Display, USB Data Export
Power Consumption	12 kWh/day	Remote Data Terminals	Remote Alarm + RS232 / RS485 Ports
Door Seal	Outer: Single Silicone Gasket No Gasket Seal	Power Cord Length	8.2 ft [2.5 m]

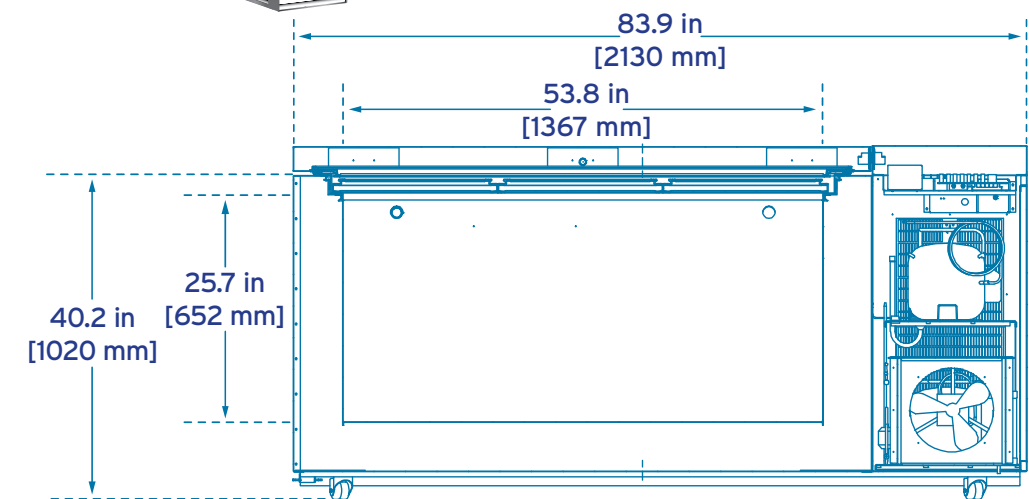
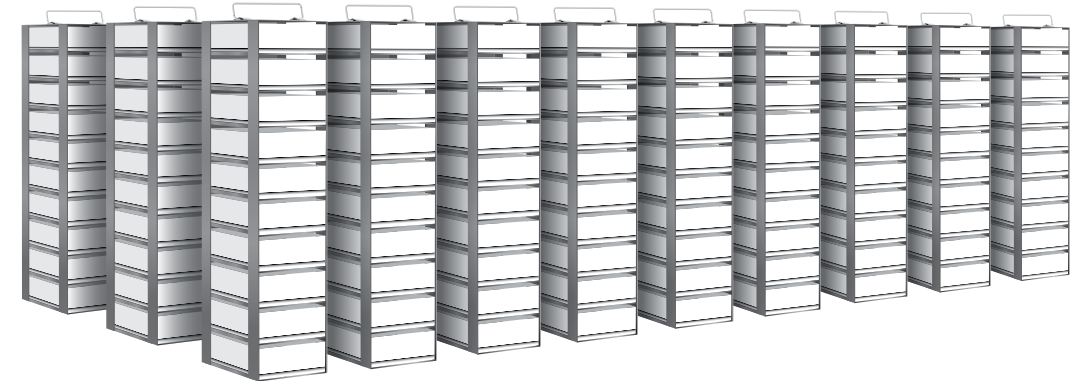
*Note: Add letter suffix to model number to indicate electrical specifications. (ex. NU-99420JE = 230V / 50Hz / 1,000W)

Freezer Rack Capacity: 27 Racks (10 Rows x 1 Column)

NU-99420J Chest ULT

270 Boxes (2 in [5 cm])

27,000 Vials (2 mL)



Unit Depth: 34.3 in [870 mm] Shelf Depth: N/A

Electrical: 220V / 60Hz
230V / 50Hz



3 YEAR WARRANTY
PARTS + LABOR
United States & Canada

*Contact your local NuAire distributor for international warranty details.



Scan or click QR code to learn more online at www.nuair.com

COMPLETE YOUR LABORATORY

Add and Extend Your Lab's Capabilities

NuAire manufactures scientific laboratory equipment and compounding pharmacy airflow products, which provide personnel, product, and environmental protection in critical research facilities throughout the world. Continue your journey with the NuAire family by completing your laboratory with the full suite of NuAire quality products.



LABGARD
Biosafety Cabinets



LABGARD
Containment Ventilated Enclosures



IN-VITROCELL
CO₂ Incubators



AIREGARD
Laminar Airflow Workstations



ALLERGARD
Animal Handling Stations



ELIZGARD
Ultralow Freezers



PHARMAGARD
Restricted Access Barrier Systems



Custom Solutions

CUSTOM SOLUTIONS

Engineered to Your Lab's Specific Needs

In every NuAire product you'll find brilliant yet practical design with keen attention to detail in every phase of the fabrication and assembly process; you'll always receive thoroughly tested equipment at outstanding value, and with dependable customer service guaranteed. These are the fundamentals for NuAire's international reputation and the reasoning behind our universal recognition as the world's finest. Despite our engineers' finely honed genius, your lab may require something that has never been done before. Luckily, our custom sales department has nearly half a century's worth of experience in crafting all sorts of new and innovative lab equipment to meet your specific

needs. We routinely reshape our cabinet's inner and outer dimensions to neatly fit within any space inside your lab. We often add computer arms, monitors, and microscope windows into our standard cabinets, as well. Another common customization involves installing an IV bar and smooth interiors for efficient and ergonomic pharmacy compounding. Regardless of what type of modification your lab and research may require, NuAire is capable of meeting any esoteric laboratory need and provide you with excellent troubleshooting support for years to come, ensuring your custom equipment continues to perform at peak levels for the entirety of its lifespan.

If your lab requires a unique solution, give us a call; we love a challenge.



This Class I BSC was created at a nominal width of 8' [2.4 m], with clear polypropylene sidewalls, and a custom mounted IV bar.



This LabGard BSC was fitted with a microscope viewing window to accommodate workflow specializing in human cell tissue research.



A custom model NU-240 was designed to offer a broader and taller work zone to accommodate a single workflow process involving microscopes. A customized isolation table was added to eliminate vibration in the work surface. The extended work surface allows a technician to perform several protocols without having to leave the work zone.



-86°C ULTRALOW TEMPERATURE FREEZERS



The Safer Choice

For more information please visit:

www.nuaire.com or call **1.800.328.3352**



Your Local NuAire Partner:



ISO 13485:2016 Fernbrook
ISO 9001:2015 & Niagara
CERTIFIED Locations



Learn More or
Request a Quote Online
www.nuaire.com